

YBA

Owner's Manual
Livret d'utilisation
用户手册

Genesis S2 Streaming Music Centre



INDEX

ENGLISH

Pages 3-5	Precautions and warranty information
Page 6	Discovering S2: Front view
Pages 7-8	Discovering S2: Rear view
Page 9	Copying music files to the build-in SSD drive
Page 10	Remote handset operation
Pages 11-18	Operation
Page 19	S2 Specifications

FRENCH

Pages 20-22	Précautions et informations sur la garantie
Page 23	Découvrir votre S2: Vue de face
Pages 24-25	Découvrir votre S2: Vue arrière
Page 26	Copie de fichiers musicaux sur le lecteur SSD intégré
Page 27	Fonctionnement de l'appareil à distance
Pages 28-35	Opération
Page 36	Specifications du S2

中文

页面 37-39	注意事项和保修信息
页面 40	探索您的S2: 前视图
页面 41-42	探索您的S2: 后视图
页面 43	将音乐文件复制到内置SSD硬盘
页面 44	遥控器操作
页面 45-52	操作
页面 53	S2规格

Warnings and Precautions



CAUTION: To reduce the risk of electric shock, do not try to open the device. No user serviceable parts inside. Refer servicing to qualified service personnel only.



The lightning flash with an arrowhead symbol within an equilateral triangle is intended to alert the user to the presence of un-insulated dangerous voltage within the product's enclosure which may be of sufficient magnitude to constitute a risk of electric shock.



The exclamation point within an equilateral triangle is intended to alert the user to the presence of important operating and maintenance (servicing) instructions in the literature accompanying the product.

This product is designed and manufactured to meet strict quality and safety standards. You should read all the safety and operating instructions before using the product. Retain the manual for future reference and adhere to all warnings in the manual or on the amplifier.

WARNING: To reduce the risk of fire or electric shock, do not expose this product to rain or moisture.

The presence of electricity near water can be dangerous. Do not use this product outdoors or near any source of water for example next to a bathtub, washbowl, kitchen sink, in a wet basement or near a swimming pool, etc. Take care that objects do not fall and liquids are not spilled into the enclosure through any openings.

Do not place this product on a bed, sofa, rug or similar soft surface, or in an enclosed bookcase or cabinet, where ventilation may be impeded. We recommend a minimum distance of 100 mm (4 inches) around all sides and top of the product to provide adequate ventilation. Be sure that the ventilation holes below and on the top cover of your product are neither covered nor obscured by any object or dust.

Locate the product away from naked flames or heat producing equipment such as radiators, stoves or other appliances (including other electronic devices) that produce heat. The amplifier has been designed for use in moderate climates.

You should never attempt to service the product beyond that described in this manual. All other servicing should be referred to qualified service personnel. The only fuse used in this device is on the AC socket. Always use exactly the same fuse as the one provided with your unit.

If an abnormal smell or smoke is detected from the product, turn the power off at once and unplug the unit from the wall outlet. Contact your dealer immediately.

The product should be referred to qualified service personnel when:

The power supply cord or plug is damaged

The product has been dropped or the enclosure has been damaged

Objects have fallen, or liquid has been spilled, into the product

The product has been exposed to moisture

The product does not appear to function normally or exhibits a marked change in performance

We thank you for your purchase of our YBA Genesis product. We are confident that it will provide you with many years of listening pleasure.

YBA Genesis products have been manufactured with the same pride and attention to detail as every other product made since our creation in 1981. Your new product will give you the very best audio quality.

This user manual has been designed to give you all the information you need to install, connect, setup and use your product. For your own safety and to ensure that no damage occurs, we strongly recommend that you read the safety guidelines carefully before installation.

It is our recommendation that you use a rack or stand that is recommended for use with audio equipment. If your equipment is on a portable rack it should be moved with great care, to avoid any accident.

It is always advisable to unplug the unit from the mains supply before cleaning. The casework should normally only require a wipe with a soft, damp, lint-free cloth. Do not use paint thinners or other chemical solvents for cleaning or furniture cleaning sprays or polishes as they can cause indelible white marks.

Only connect the product to a power supply of the type described in the operating instructions or as marked on the rear panel. Be sure to check the noted voltage. Power supply cords should be routed so that they are not likely to be walked on or pinched by items placed upon or against them. Only use the power supply cord supplied with your amplifier.

Unplug the power cord or switch it off if left unused for a long period of time.

This product has been designed to meet the IEC 62368 international electrical safety standard as well as CE and RoHs regulations. The pictorial "crossed-bin" means the equipment must not be thrown with ordinary wastes but must be collected for reuse, recycling and other forms of recovery. If no longer required it must therefore be deposited in an appropriate collection point.

YBA is a registered trademark of YBA SAS and is restricted for use by YBA, its subsidiaries and authorized agents. All other brands and product names quoted in this manual are registered trademarks and the property of their respective owners.

Disclaimer: All the information contained in this manual was correct at the time of publication. However, as our engineers are always updating and striving to improve our products, your product may have slightly different appearance, performance, or modified functionality than presented in this manual.

YBA Warranty Policy Information

YBA warrants this product to be free from defects in materials and workmanship subject to the following:

The warranty period may vary from country to country and according to local regulations. Consult your dealer or distributor to confirm the warranty duration in your country.

YBA will repair or replace this product (at YBA's sole option) or any defective parts in this product within the terms of the warranty.

YBA warranty applies to the original purchaser only. **Always** ensure that you retain a valid proof of purchase.

YBA shall not be liable for any incidental or consequential damages for breach of any express or implied warranty in this product.

Except to the extent prohibited by law, this warranty is exclusive and in lieu of all other express and implied warranties.

YBA warranty does not affect your statutory rights.

Warranty Procedure

To obtain warranty service, please contact the YBA authorized dealer from whom you purchased this product. Your dealer will deliver the product to the registered YBA service centre.

Shipping to the service centre is at your cost and your amplifier must be packed in either its original carton or packaging affording an equal degree of protection.

Proof of purchase in the form of a bill of sale or receipted invoice, which is evidence that this product is within the warranty period, must be presented to obtain warranty service.

This warranty is invalid if

- (a) the factory-applied serial number has been modified, altered or removed from this product
- (b) this product was not purchased from a YBA authorized dealer
- (c) the product shows any evidence of repair or attempt to repair not performed by a YBA authorized service centre.

Warranty Exclusions

Maintenance and service or replacement of parts due to normal wear and tear

Problems arising from the misuse of the product or use of this product for non-domestic use

Damage to the outer chassis due to normal or abnormal wear and tear

Faults caused by extreme situations (such as damage due to lightning, floods, moisture, fire...)

Faults caused as a result of a short-circuit on the loudspeaker outputs

Faults caused by shock or the result of the product being dropped

Damage or defects caused by the use of inadequate packing during return to an authorized service centre

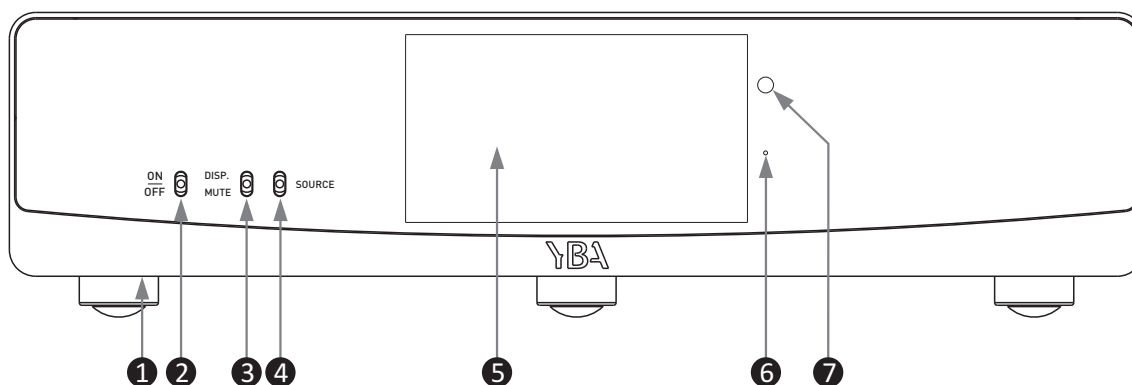
Faults caused by other devices or accessories such as power cords, power filters, loudspeakers

Damages due to repairs, modifications or cleaning by non-approved technicians or due to the use of non-YBA parts

Faults due to unauthorised opening or tampering with the unit

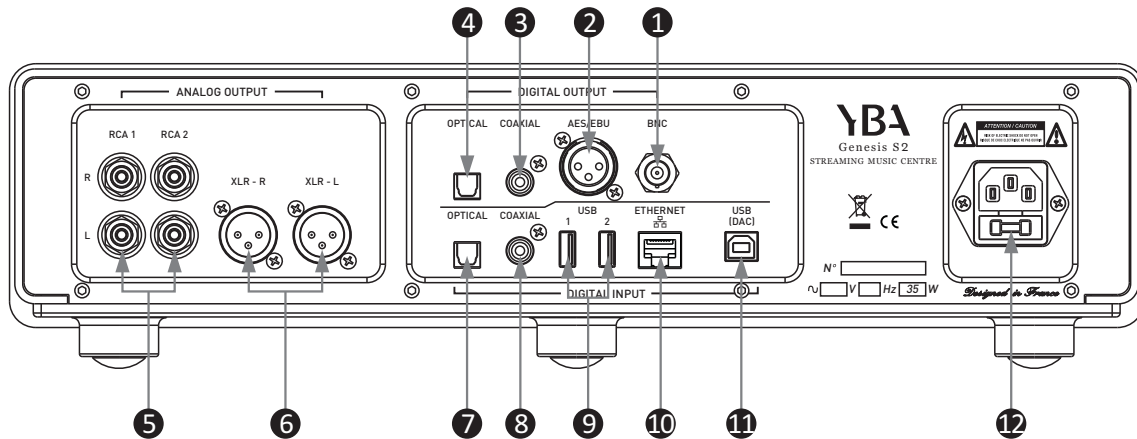
Any complete or partial loss of data/files

Discovering your S2: Front view



- 1** Power Switch Use this switch underneath the machine to power on or power off the S2
- 2** On/Off Toggle up to turn on from Standby / Toggle down to put in Standby
- 3** Disp/Mute Toggle to enable or disable the on-screen display / Switch down to mute the sound
- 4** Source Selects between the different inputs
- 5** Touchscreen 130 x 71 mm TFT LCD display (visible area)
- 6** Start up indicator When powered on the blue LED flashes. Solid blue machine is ready for use. If in standby LED is red
- 7** IR Sensor Point remote towards this sensor for control from a distance

Discovering your S2: Rear view



CAUTION

Before connecting or disconnecting any input or output always make sure your S2 is in the OFF position. If you have any doubt, unplug the AC cable from the power inlet.

Make sure all components connected to your player are all set to off.

Neatly arrange and organize wiring to and from your S2 and to and from all your components. Separate AC wires from audio cables to prevent hum or other unwanted noise from being introduced into the system.

- | | |
|--------------------------|---|
| ① BNC digital output | The BNC digital output allows you to connect an external DAC or a digital recorder. |
| ② AES/EBU digital output | The AES/EBU digital output allows you to connect an external DAC or a digital recorder. |
| ③ Coaxial digital output | The coaxial digital output allows you to connect an external DAC or a digital recorder. |
| ④ Optical digital output | The optical digital output allows you to connect an external DAC or a digital recorder. |
| ⑤ RCA outputs 1 and 2 | Pre-amplified output. If you want to use a subwoofer, a separate power amplifier or some active speakers, use this connection |

Discovering your S2: Rear view

- ⑥ XLR output

Balanced outputs must be used with equipment with balanced inputs. YBA believes that RCA connections are of better quality than XLR connections, unless the cable connection is very long.

XLR connectors should be wired: Pin 1 - Ground; Pin 2 - Hot (in-phase); Pin 3 - Cold (phase-inverted).
- ⑦ Optical digital input

Connect to optical output from a digital audio source (for example a digital television) by optical cable.
- ⑧ Coaxial input

Connect to coaxial output from a digital audio source by coaxial cable.
- ⑨ USB 1 and USB 2

USB (type A) host port, for USB stick drive or USB hard disk drive use.
- ⑩ Ethernet input

Connect the unit to the network permanently with RJ45-RJ45 straight through (not crossover) networking cable. Use cable suited to the network type, e.g. 10/100 base-T (most home networks). This allows the unit to be plugged into a computer network, and is strongly recommended where a wired connection is already available or can be installed. Standard UTP RJ45 networking cable should be used to connect the unit to the networking router. This is an option to choosing to use a wireless connection.
- ⑪ USB-DAC

The USB Type B input allows a direct connection to a PC/Mac; The S2 operation is fully independent of your computer built-in soundcard and will operate whether your computer has a soundcard or not.
- ⑫ Power inlet

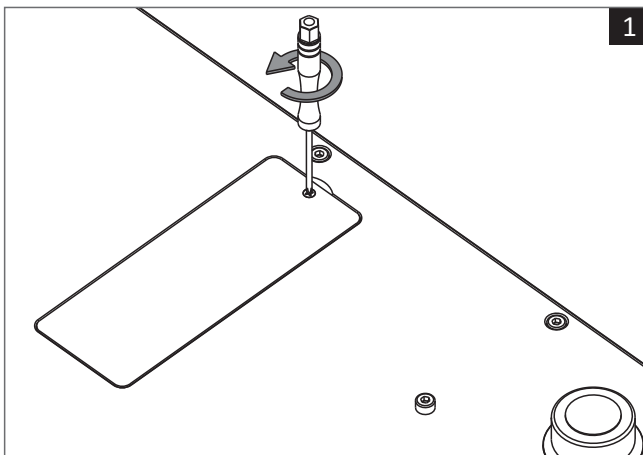
Use the mains cable provided with your S2. Be sure the switch is in the OFF position before plugging or unplugging the mains cable.

Copying music files to the build-in SSD drive

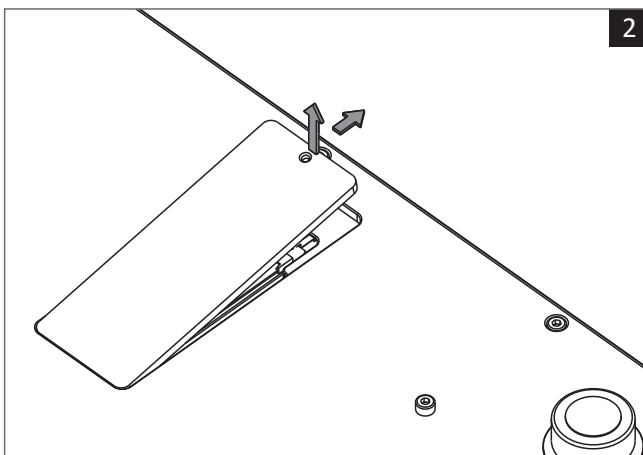
S2 comes with a build-in 1TB NVME SSD drive for storing music files.

If you wish to copy your music library onto the drive, it's recommended to remove the drive from the S2 and connect it directly to your computer to copy in all the files.

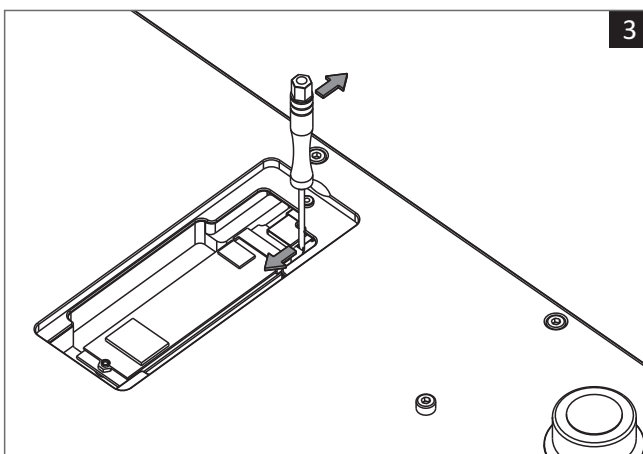
SSD Drive is connected to a USB adapter and can be connected directly to USB ports on your computer.



Use screwdriver to remove the screw on the bottom of S2.



Remove the disk cover.

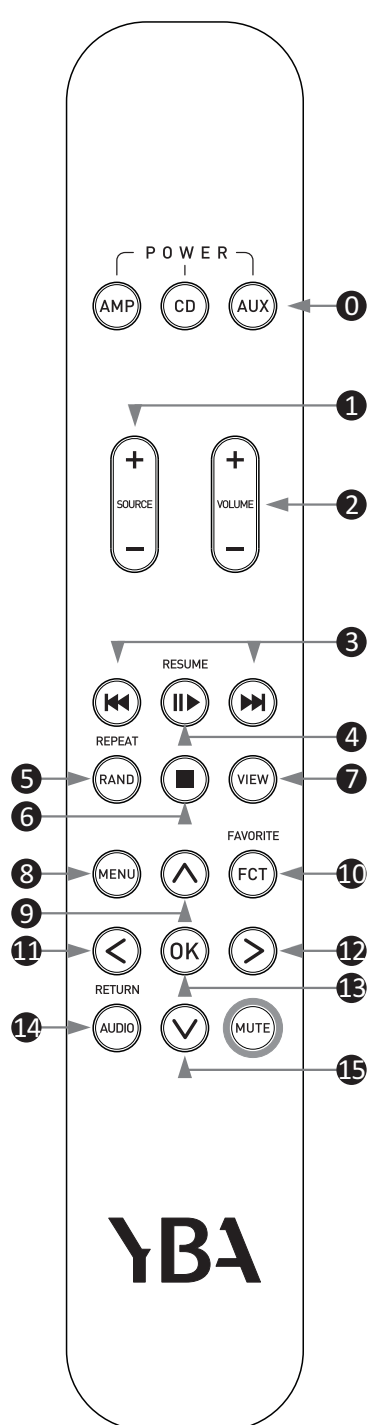


Use screwdriver or other tool to push on the drive, pushing it out from the inner USB slot.

REMOTE HANDSET OPERATION

Note: **PRESS** means a short press on a key while **HOLD** means to keep the key pressed for more than 3 seconds.

Always point the remote towards the IR window of your S2



- 0** **Select** the device you want to control. To control the S2 select AUX
- 1** **SOURCE+/SOURCE-**: Press SOURCE+/SOURCE- to skip to the desired source.
- 2** **Volume + / -**: Press to control volume of S2, acting as a pre-amplifier for power amplifier or active speakers.
- 3** **Previous/Next Track (▶▶ / ◀◀)**: Press ◀◀ to return to start of track or ▶▶ to play the next track. Hold > 3 seconds for fast forward or fast back to beginning or end of song.
- 4** **Play/Pause**: Press to toggle between play (▶) and pause (⏸)
- 5** **Random (RAND)**: Press to toggle between shuffle and list play. Choose OK. Hold to repeat current track
- 6** **Stop (■)**: Press to stop playback
- 7** **View**: By pressing the View button for more than three seconds the display turns off. Press again and it turns on.
- 8** **Menu**: Press to return to selection menu (Local songs/network service etc.)
- 9** **Λ**: Press once goes to return arrow. Press OK returns to menu (Songs/Artist/Album etc.) Press again to go to selection menu (Local Songs/Network services etc.)
- 10** **FCT**: Press to add the currently playing track to the favourites menu.
- 11** **<**: Press once goes to return arrow. Press OK returns to menu (Songs/Artist/Album etc.) Use down, right and left arrows to navigate through menu to choose selection
- 12** **>**: Press once goes to return arrow. Press OK returns to menu (Songs/Artist/Album etc.) Using down, right and left arrows to navigate through menu to choose selection
- 13** **OK**: Confirms/selects item
- 14** **Return**: Press to return to menu. Navigate using arrow keys to select from Songs/Artists etc.
- 15** **v**: Press once goes to return arrow. Press OK returns to menu (Songs/Artist/Album etc.) Use down, right and left arrows to navigate through menu to choose selection.

OPERATION

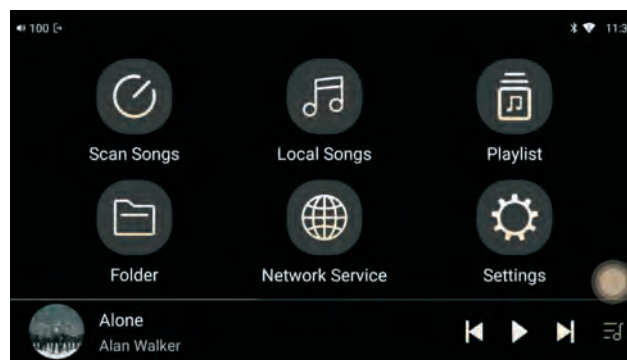
Switching on/off

Press the switch under the front panel on the left hand side. A red indicator will appear on the right hand side of the touchscreen.

Toggle the front panel on/off switch upwards to on. Hold for 2-3 seconds. The red light will be replaced by a blue flashing light which will then become solid when the unit is ready for use. It is ready for use when you see the options screen.

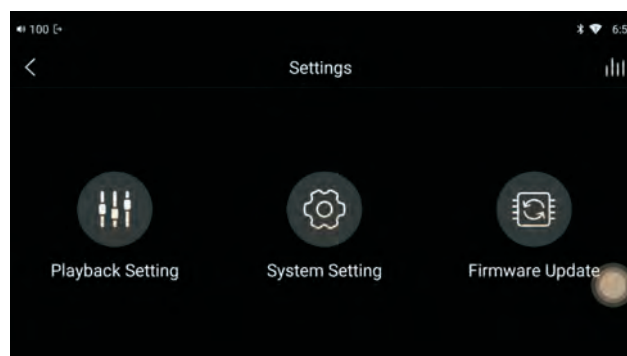
To switch off at any time simply use the toggle switch in a downward motion to off and hold for 2-3 seconds. The unit will go into Standby, (red indicator). To turn off completely after this step, use the switch under the front panel.

Select Settings from the option screen



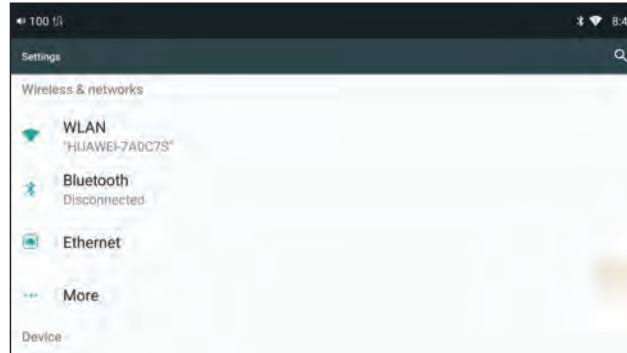
Firmware Update:

When a firmware update is available you will be advised. It is a simple process to follow. However because it is somewhat time consuming to update in this way, when updates are available a link will be posted on the YBA website. What we suggest you do is to open that link, download the ZIP file to a USB drive (do not unzip the file) and install the update directly from your USB. To do this you use either the USB1 or USB2 input and select firmware update/local upgrade and follow the prompts. Choose native update.



System Settings

When navigating through these settings, in order to return to the options swipe from left to right across the screen.



WLAN:

Available networks will be listed. Select and then enter details of your network. Be sure that you have selected the On button on the top right hand side.

Above the On indicator is a settings button. You have further options here if required.

Bluetooth:

To pair a device with the S2, open settings on the device (mobile/tablet etc.) Choose Bluetooth on the device and S2 will appear as an option. Select connect having made sure that on the S2 you have switched Bluetooth 'On'. Your device will then appear in the Bluetooth settings on the S2. Tap to select both and a code will appear on your device.

Tap this code to enable pairing. Remember your device can only have one pairing active at any one time.

When you stop using Bluetooth the connection will switch off.

Ethernet:

If you choose to use a wired internet connection, enter details here.

More:

This provides an opportunity to reset network settings

Virtual key model defaults to floating box mode - touching this circle on the screen acts as a return to previous screen.

Audio:

Fixed output sampling rate: Choose "Bypass" to play audio in its original unaltered form. Or choose from 48kHz all the way to DSD256 to set resampling or PCM to DSD conversion for all played audio files.

Select output: Pick between Pre-amplifier or Line-Out output, this will affect ability to control volume directly on the S2. Also available in swipe down menu.

Lowpass filter mode: Pick from six digital filters, affecting data processing in the DAC, affecting the overall sound.

Balance: Adjust channel balance.

Wireless Playback quality: Set which codec will be used when using S2 as Bluetooth transmitter. This setting has no effect on using S2 in Bluetooth receiver mode.

Airplay: Switch S2 into Airplay receiver. Also available in swipe down menu.

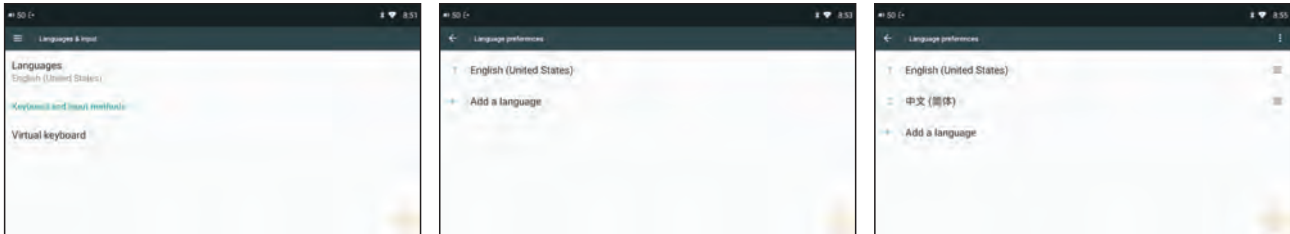
Storage:

Accessing internal storage of Android system and the internal SSD.

Next more personal preferences can be set

Languages:

Default is English. When using a keyboard screen other options will be available.



Backup and reset:

This will reset your S2 to the original factory settings and is best left untouched unless necessary.

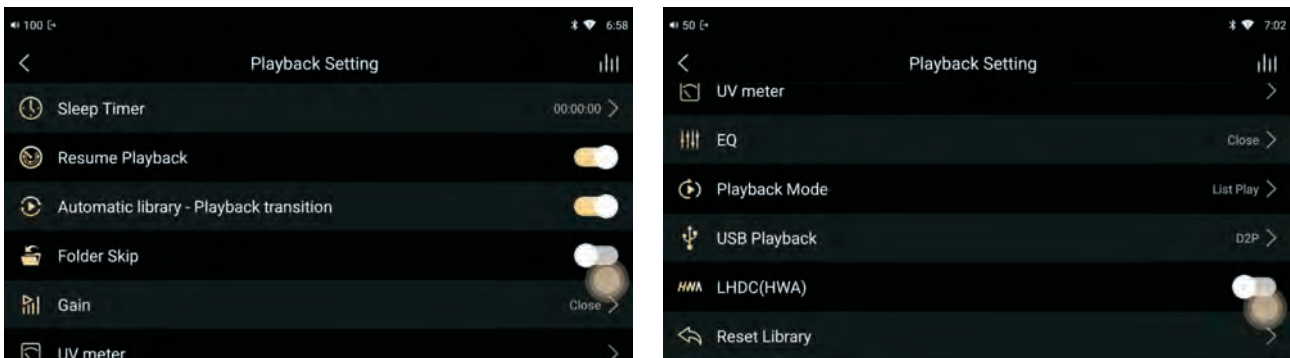
Date and Time:

First scroll down through the options to select your time zone. Choose whether you prefer 12 or 24 hour format. Once done then scroll back up and select Automatic date and time and Automatic time zone.

Touch floating box to return to previous screens.

Playback Settings:

From this point on you will notice a back arrow at the top left of the screen for all future navigation. These settings are to be configured to your personal preferences.



Use the back arrow at the top left of the screen for all future navigation.

These settings are to be configured to your personal preferences.

Sleep Timer:

Can be set if required. Otherwise simply leave at factory setting of 00.00.00

Resume playback:

Set to either on/off.

Automatic library - Playback transition:

Select on or off. This option automatically opens the Playback page when a song is selected in the list.

Folder Skip:

Select on or off.

Gain:

ReplayGain function, set to either on/off.

UV meter:

Set whether the digital UV meter should show up on now playing screen.

There are options for 3 different colors of the display.

EQ:

Select on or off. Here you can enter your own equaliser settings. Press Close. Next choose On and set to your preferences.

Playback mode:

Choose from List Play / Shuffle / Repeat All / Repeat Track.

USB Playback (DSD)

Select D2P, DoP (uses original material without conversion) or Native. Default is D2P. Affects only USB output to external DAC.

LHDC:

Select on or off. LHDC is a bluetooth transmitter, when selecting on, LHDC encoding is turned on. If headphones or earphone support LHDC, the LHDC encoding is used to transmit data. Due to version used, some headsets might not correctly display S2 as LHDC compatible.

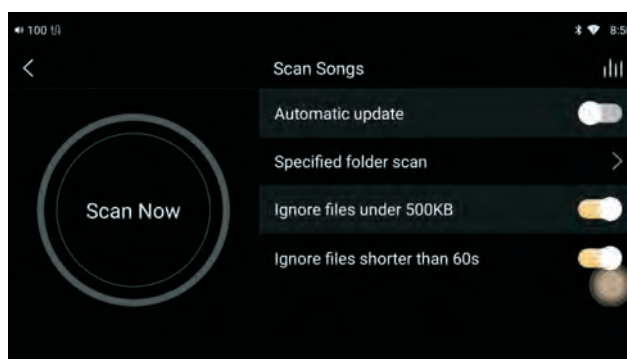
Reset library:

Take care here as resetting **will delete** all playlists, favourites, recently played and file information.

Once all system settings and playback settings have been entered, press the back arrow once more to take you to the actual operation screen.

Scan Songs:

If you are using a USB memory stick or hard drive in either USB-1 or USB-2 or if you have used a wi-fi file transfer, you must scan songs into the system. Initially all songs will be saved to Local Songs. Tap Scan Songs followed by Scan Now and you will receive information about how many songs have been scanned.



Local Songs:

Choose Local Songs to begin to listen to your music. Remember you must have chosen local songs from your Input Switching Options.

This gives you options of how to listen to the songs by Songs / Artist / Album / Genres and Playlists. Choosing one of those options you will see all songs/artist/album listed alphabetically. You can add further information as follows...

Songs: Pressing the 4 vertical lines symbol at top right of screen after selecting a song, you will see details of the album showing the cover, album title and artist. Directly underneath the album cover you will see a heart - pressing this adds the particular song to your **Favourites**. You will also see the number the particular song appears on the album.

Pressing the information icon takes you to more available detailed information relating to the song.

Going back to the song itself and pressing the symbol to the right of the song gives you even further information and also allows you to position where the song might appear in your listing (Add To). You can also add it to a playlist. **Create a playlist** by name by touching the + at the top right of screen. You can add as many playlists as you wish.

If desired you can also delete the song and you have the options to remove from everywhere you may have added it (i.e. Favourites/Playlists).

Artists/Albums: You have the same options as Songs.

You will notice that if you choose to navigate to other areas to check on settings etc. the music will continue to play.

Playlist:

Choosing Playlist from the menu will take you to a screen that lists **Playlists** and **Favourites**.

Folder:

This contains information relating to internal and external storage. Internal is system information only - external relates to anything you may have transferred via your wi-fi file transfer. You can still play from this folder if you wish.

Network Services:

DLNA:

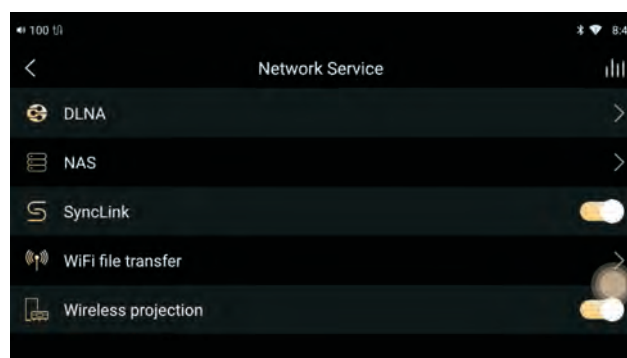
Note there are two features:

DMS (Digital Media Server) requires an external storage device connection (e.g., usb flash drive, portable hard disk), and then turn on the DLNA button.

Example: A third-party App (e.g. mConnect, bubbleUPnP) browses a file directory Shared by DMS on the S2. You can then browse this file directory Shared by the S2 on (for example) mConnect.

DMR (Digital Media Renderer) opens with DLNA, closes with DLNA.

Example: A third-party App (e.g. mConnect, bubbleUPnP) plays audio files via DMR on the S2. Use the S2 to play audio files on mConnect.



Turn DLNA On or Off

Add DLNA shared folder.
DLNA Shared Folder list.

NAS:

Search for NAS servers.

SyncLink:

Enable to control S2 Local file playback over Bluetooth, using Eddict player app on your smartphone or tablet.

Wifi file transfer:

Both your PC and S2 must be using the same network. Check that your wifi connection is still on (System Settings WLAN or Ethernet). Choose USB-DAC from the input selection options.

You will see an instruction on the file transfer screen to go to your browser on your PC and type in <http://10.0.0.129:8080> Please note the colon : in the link address.

This will take you to an area where you will be able to upload files from your PC to the S2.

Note: Prior to making this connection click on the settings icon on the top right hand side of the screen. It will provide you with a choice of storing the material permanently in the S2 internal storage. Touch internal storage and you will be taken to a large selection of options.

This can be changed each time you upload but it must be done prior to the upload.

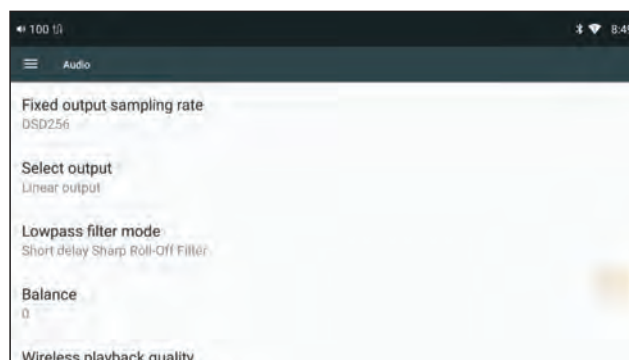
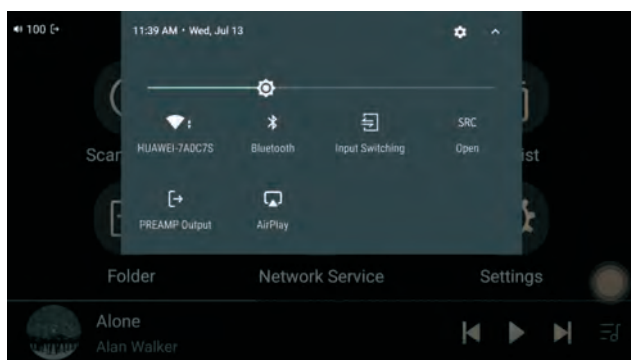
Wireless projection:

Enable to completely control S2 over Wi-Fi, using Eddict player app on your smartphone or tablet. The display of S2 will be completely mirrored on your smartphone, giving you access to all functions and menus of S2.

Swipe Down menu

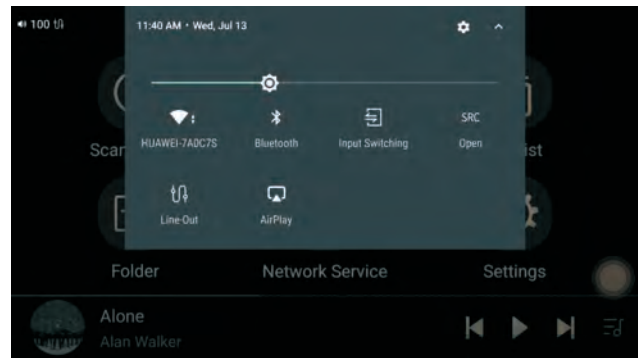
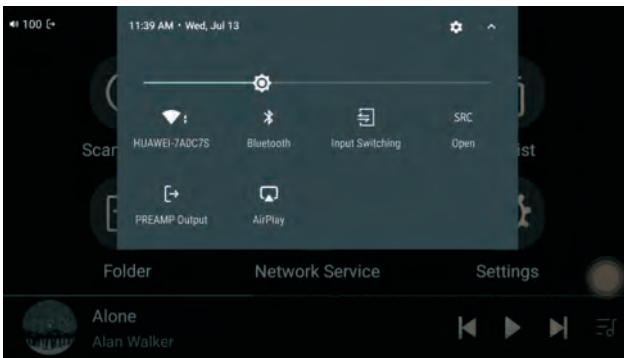
SRC:

Click to turn On / OFF SRC (Fixed output sampling rate). Long press to enter Fixed output sampling rate settings screen. In system settings



PreAmp Output // Line-Out.

Switch between Pre-amplifier or Line-Out output, this will affect ability to control volume directly on the S2.



Input Switching:

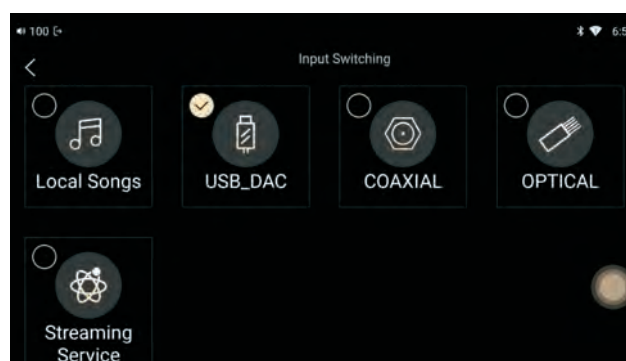
Choose your input of choice, remembering that to listen to material on USB you choose Local Songs. Remember you need to scan the material from your USB for it to appear in the local songs library.

In order to use the USB-DAC option a **download is required for Windows. No download required for Mac.**

The file can be downloaded from the YBA website - www.ybahifi.com/downloads.html

After downloading and installing you will have the option via your sound settings to use the Eddict Audio Device to listen to music stored on your PC. Your PC's previous audio output device will be temporarily disabled and the S2 will become the default audio device. If you wish to disconnect your S2 and return to your soundcard navigate back to your sound settings and choose your PC output. You will need to choose USB-DAC from the input switching option.

When choosing Coaxial/Optical and USB-DAC the S2 is acting as a high quality DAC decoder.



Genesis S2 Streaming Music Centre

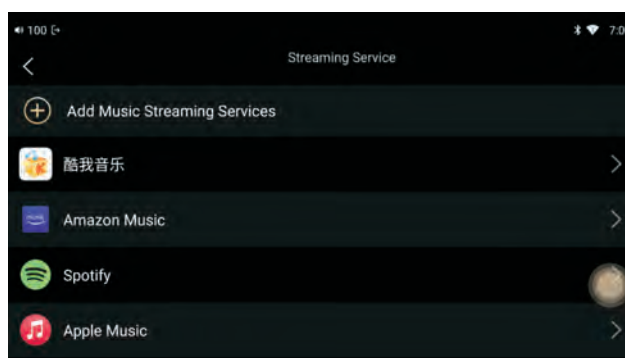
Streaming Services:

Currently there are ten streaming options installed with more to follow in an upcoming firmware update.

It is necessary to enter your account details in each of these and then login. These details will only have to be entered once.

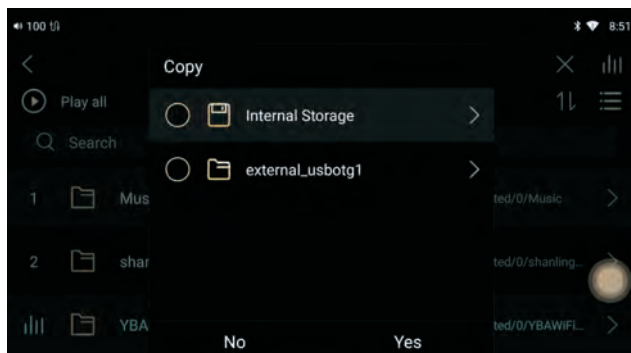
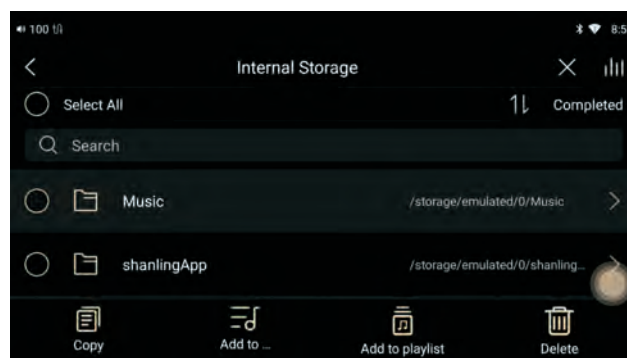
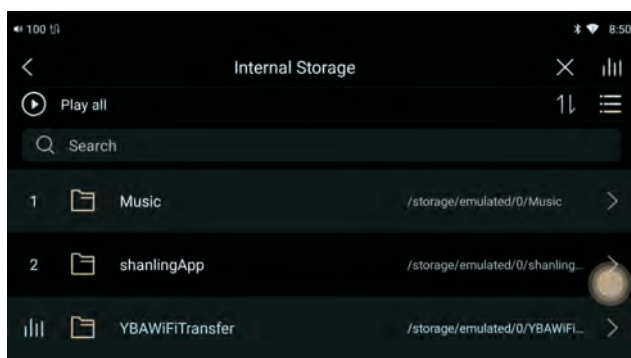
If signing up to one of these services for the first time, we have found it is easier to sign up via your PC or mobile device and then enter the login details into the S2.

Provided your wifi connection is a good one, you simply select the option of your choice to listen to your preferred music.



Copying files from USB drives to internal SSD:

Open Folder browsing and navigate to the files on USB Drive. Click on the multi-selection button in top right corner and choose which files you wish to copy. Then click on Copy and pick the SSD location. It's recommended to play files from the internal SSD for optimal performance.



S2 SPECIFICATIONS

FILE FORMAT

Supported formats	AIFF, WAV(LPCM), FLAC, MP3, WMA, AAC
Supported sampling rates	DSD512 32 - 768KHz
Supported resolution	16bit, 24bit, 32bit

NETWORK

Ethernet	10/100 Base-T (RJ45)
WiFi	IEEE 802.11b/g/n
WPS	Compatible
DLNA	1.0/1.5 compatible
UPnP	DMP/DMR
Network Service	Selected streaming services included
AirPlay	Yes

AUDIO

Digital inputs	Coaxial, Optical, USB (DAC), USB (host), Bluetooth 4.2 with LDAC
Audio outputs	Gold plated RCA, Balanced XLR

LINE OUT

RCA output level	2.25V
Balanced output level	4.5V
SNR	107 dB
THD+N	0.0008%

D/A Converter	AKM AK4497EQ x 2 (32 bits / 768kHz capable)
Power supply	Linear power supply with high performance transformer
Dimensions (wxdxh)	430 mm x 388 mm x 115 mm
Finish	Black
Weight	9.1 kg

Mises en garde et précautions



ATTENTION: N'essayez pas d'ouvrir l'appareil, vous risquez un choc électrique. Confiez l'entretien seulement à un personnel qualifié.



Ce symbole alerte l'utilisateur de la présence de tension électrique à l'intérieur du boîtier du produit. Cette tension peut provoquer un choc électrique, des blessures ou des dommages matériels.



Ce symbole alerte l'utilisateur de la présence d'instructions importantes de précaution ou de maintenance dans la documentation accompagnant le produit.

Cet appareil a été conçu et fabriqué pour répondre à des normes strictes de qualité et de sécurité. Vous devez lire l'ensemble des instructions de sécurité et de fonctionnement avant d'utiliser l'appareil. Conservez le manuel en lieu sûr pour y faire référence dans le futur et respecter tous les avertissements mentionnés dans le manuel et sur l'appareil.

AVERTISSEMENT: Pour réduire le risque de choc électrique ou d'incendie, ne pas exposer ce produit à la pluie ou à l'humidité.

La présence d'eau à proximité d'un appareil électrique peut être dangereux. Ne pas utiliser l'appareil à l'extérieur ou près d'une source d'eau, par exemple à côté d'une baignoire, un lavabo, un évier, dans une cave humide ou près d'une piscine, etc. Veillez à ce que des objets ou des liquides ne tombent pas à travers les ouvertures de ventilation du capot de l'appareil.

Ne pas placer ce produit sur un lit, un canapé, une surface instable, ou dans un meuble fermé où la ventilation pourrait être entravée. Nous recommandons une distance minimale de 100 mm (4 pouces) tout autour et au-dessus du produit de façon à fournir une aération adéquate. Assurez-vous que les orifices de ventilation placés dessous et sur le couvercle supérieur de votre produit ne sont ni couverts, ni masqué par un objet ou de la poussière.

Tenez le produit à l'écart des flammes ou de sources de chaleur (radiateurs, poêles ou autres appareils, y compris d'autres appareils électroniques). L'appareil a été conçu pour une utilisation dans des conditions climatiques et un environnement tempérés.

Vous ne devez jamais tenter de réparer le produit au-delà de ce qui est spécifié dans ce manuel. Toutes les autres réparations doivent être confiées à du personnel spécialisé.

Le fusible utilisé dans ce dispositif se trouve sur la prise secteur. Toujours utiliser exactement le même fusible que celui fourni avec votre appareil.

En cas d'odeur anormale, de fumée ou de bruit inhabituel, éteignez immédiatement votre appareil et débranchez-le de la prise de courant. Contactez immédiatement votre revendeur.

Le produit doit être confiée à du personnel qualifié dans les cas suivants:

- Si le cordon d'alimentation ou la fiche sont endommagés.
- Si l'appareil est tombé ou le boîtier a été endommagé.
- Si des objets ou du liquide sont tombés dans l'appareil.
- Si le produit a été exposé à l'humidité
- Si le produit ne semble pas fonctionner normalement.

Nous vous remercions d'avoir acheté cet appareil YBA. Il est conçu pour vous procurer de nombreuses années de plaisir d'écoute.

Cet appareil YBA a été fabriqué avec la même fierté et l'attention aux détails que tous les autres produits réalisés depuis notre création en 1981. Votre nouvel appareil vous donnera la meilleure qualité audio.

Ce manuel a été conçu pour vous donner toutes les informations dont vous avez besoin pour installer, raccorder, configurer et utiliser votre produit. Pour votre propre sécurité et pour s'assurer qu'aucun dommage ne se produise, nous vous recommandons fortement de lire attentivement les consignes de sécurité avant l'installation.

Nous vous recommandons de poser cet appareil sur un support adapté.

Il est toujours conseillé de débrancher l'appareil de l'alimentation secteur avant de le nettoyer. Le châssis ne devrait normalement être essuyé qu'avec un chiffon doux, non pelucheux et très légèrement humide. Ne pas utiliser de diluants de peinture ou de solvants chimiques ou autres produits de nettoyage car ils peuvent causer des taches indélébiles.

Branchez le produit à une alimentation du type décrit dans les instructions de fonctionnement ou indiqué sur le panneau arrière. Soyez sûr de vérifier la tension. Les cordons et câbles électriques doivent être installés de sorte qu'ils ne soient pas piétinés ou pincés par des objets placés sur ou contre eux.

Débranchez le cordon d'alimentation si l'appareil doit rester inutilisé pendant une longue période.

Cet appareil n'est pas conçu pour être utilisé à des fins professionnelles, mais pour un usage privé et domestique.

Cet appareil a été conçu pour répondre à la norme IEC 62368, norme internationale de sécurité électrique, ainsi qu'aux règlements CE et RoHS.

Le pictogramme "poubelle barrée" signifie que l'équipement ne doit pas être jeté avec les déchets domestiques, mais doit être mis en point de collecte avec les déchets électriques pour un recyclage ou une valorisation appropriés.

YBA est une marque déposée YBA SAS don't l'usage est restreint à YBA, ses filiales et agents agréés. Toutes les autres marques et noms de produits cités dans ce manuel sont des marques déposées et la propriété de leurs propriétaires respectifs.

AVERTISSEMENT : Toutes les informations contenues dans ce manuel sont correctes au moment de la publication. Cependant, il se peut que votre appareil ait une apparence légèrement différente, ou des fonctionnalités différentes par rapport à ce manuel.

Information sur la Politique de garantie YBA

YBA garantit que ce produit est exempt de défauts dans les matériaux de fabrication et sous réserve de ce qui suit:

La période de garantie peut varier d'un pays à l'autre et selon les réglementations locales. Consultez votre revendeur ou distributeur pour confirmer la durée de la garantie dans votre pays.

YBA s'engage à réparer ou remplacer ce produit (à la seule discrétion de YBA) ou toute pièce défectueuse de ce produit dans les termes de la garantie.

La garantie YBA s'applique à l'acheteur d'origine seulement. Toujours veiller à ce que vous conserviez une preuve d'achat valide.

Toute modification apportée à l'appareil peut avoir pour conséquence le non respect des normes CE et des normes applicables. YBA ne pourra pas être tenu responsable des dysfonctionnements, dommages directs ou indirects pouvant résulter de ces modifications.

Veuillez respecter les réglementations et législations en vigueur dans le pays d'utilisation.

La garantie YBA n'affecte pas vos droits statutaires.

Procédure de Garantie

Pour obtenir un service de garantie, contactez le revendeur local agréé auprès duquel vous avez acheté ce produit.

L'expédition au centre de service YBA est à vos frais (aller et retour). L'appareil doit être emballé dans son carton d'origine ou un emballage offrant un degré de protection équivalent.

Une preuve d'achat (facture acquittée), seule preuve que ce produit est dans la période couverte par la garantie, devra être obligatoirement présentée pour obtenir le service de garantie.

AVERTISSEMENT : Cette garantie ne sera pas applicable dans les cas suivants

- (a) Le numéro de série a été modifié, altéré ou est absent du produit.
- (b) Ce produit n'a pas été acheté auprès d'un distributeur local agréé.
- (c) Le produit montre des signes de réparation ou de tentative de réparation non effectuée par un centre de service agréé YBA.

Exclusions de garantie

L'entretien et la réparation ou le remplacement de pièces ou composants suite à une usure normale;
Des problèmes découlant de l'utilisation abusive du produit ou de l'utilisation de ce produit pour un usage non domestique;

Les dommages au châssis externe dus à une usure normale ou anormale;

Les dommages engendrés par des situations extrêmes ou anormales (tels que la foudre, les inondations, l'humidité, le feu ...)

Les dommages provoqués par un court-circuit sur les sorties haut-parleur;

Les dégâts ou pannes causés par l'utilisation d'un emballage inadéquat lors du retour à un centre de service autorisé;

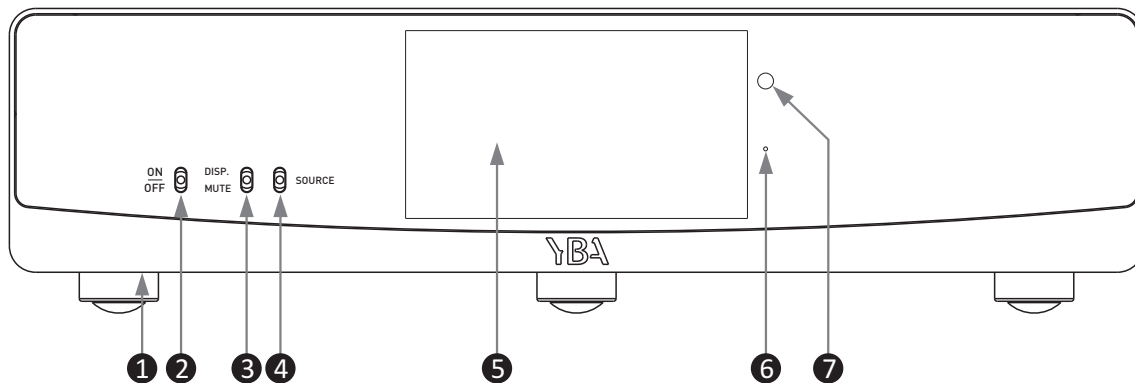
Les dommages engendrés par un choc ou une chute;

Les dommages causés par d'autres appareils ou accessoires tels que les cordons d'alimentation, filtres électriques, ou haut-parleurs;

Les dommages dus à des réparations, des modifications ou des nettoyages par des techniciens non-certifiés ou liés à l'utilisation de pièces non YBA;

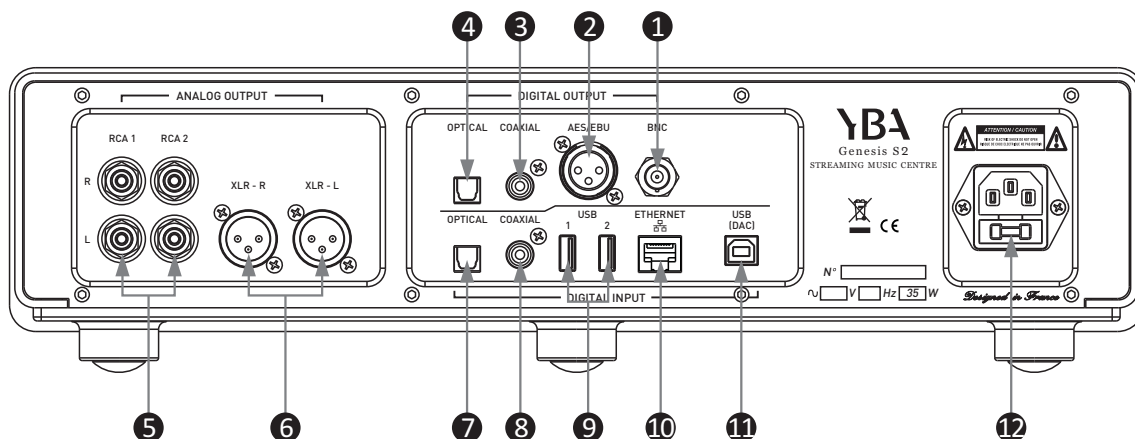
Les dommages ou altérations dus à l'ouverture non;

Découvrir votre S2: Vue de face



- | | | |
|----------|-------------------------|---|
| 1 | Interrupteur | Utilisez l'interrupteur sous la machine pour allumer ou éteindre le S2 |
| 2 | On/Off | Basculer vers le haut pour quitter le mode veille / Basculer vers le bas pour mettre en veille |
| 3 | Disp/Mute | Utiliser l'interrupteur pour activer ou désactiver l'affichage à l'écran / Utiliser l'interrupteur pour couper le son |
| 4 | Source | Sélectionne les différentes entrées |
| 5 | Écran tactile | Écran LCD TFT 130 x 71 mm (zone visible) |
| 6 | Indicateur de démarrage | Lorsqu'on allume l'appareil, la LED bleue clignote. Lorsque la diode bleue est fixe, l'appareil est prêt à l'emploi. S'il est en veille, la LED est rouge |
| 7 | Capteur IR | Pointez la télécommande vers ce capteur pour un contrôle aisé à distance |

Découvrir votre S2: Vue arrière



MISE EN GARDE

Avant de connecter ou de déconnecter une entrée ou une sortie, assurez-vous toujours que votre S2 est en position OFF. En cas de doute, débranchez le câble secteur de la prise d'alimentation.

Assurez-vous que tous les éléments connectés à votre lecteur sont tous éteints.

Organisez soigneusement le câblage vers et depuis votre S2 et vers et depuis tous vos éléments. Séparez les fils secteurs des câbles audio pour empêcher un bourdonnement ou tout autre bruit indésirable dans le système.

- 1** Sortie numérique BNC La sortie numérique BNC permet de connecter un DAC externe ou un enregistreur numérique.
- 2** Sortie numérique AES/EBU La sortie numérique AES/EBU permet de connecter un DAC externe ou un enregistreur numérique.
- 3** Sortie numérique coaxiale La sortie numérique coaxiale permet de connecter un DAC externe ou un enregistreur numérique.
- 4** Sortie numérique optique La sortie numérique optique permet de connecter un DAC externe ou un enregistreur numérique.
- 5** Sorties RCA 1 & 2 Sortie pré-amplifiée. Si vous souhaitez utiliser un subwoofer, un amplificateur de puissance séparé ou des haut-parleurs actifs, utilisez cette connexion.

Découvrir votre S2: Vue arrière

- 6** Sortie XLR

Les sorties XLR symétriques doivent être utilisées avec des appareils possédant des entrées XLR symétriques. YBA recommande les connections RCA car le résultat sonore est meilleur, exceptées pour les très grandes longueurs de l'ordre de 10 mètres

Les connecteurs XLR doivent être câblés: broche 1 - masse; Broche 2 - positif (en phase); Broche 3 - négatif (phase inversée).

- 7** Entrée numérique optique

Connectez-vous à la sortie optique d'une source audio numérique (par exemple un téléviseur numérique) par câble optique.

- 8** Entrée coaxiale

connectez-vous à la sortie coaxiale d'une source audio numérique par câble coaxial.

- 9** Port hôte USB 1 et USB 2

USB (type A), pour l'utilisation d'une clé USB ou d'un disque dur USB.

- 10** Entrée Ethernet

Connectez l'unité au réseau en permanence avec un câble réseau (non croisé) RJ45-RJ45. Utilisez un câble adapté au type de réseau, par ex. 10/100 base-T (la plupart des réseaux domestiques). Cela permet à l'appareil d'être branché sur un réseau informatique et cela est fortement recommandé lorsqu'une connexion filaire est déjà disponible ou peut être installée. Un câble réseau UTP RJ45 standard doit être utilisé pour connecter l'unité au routeur réseau. Choisir une connexion sans fil.

- 11** USB-DAC

l'entrée USB Type B permet une connexion directe à un PC / Mac; Le fonctionnement du S2 est totalement indépendant de la carte son intégrée à votre ordinateur et fonctionnera correctement, que votre ordinateur soit équipé ou non d'une carte son.

- 12** Entrée de l'alimentation

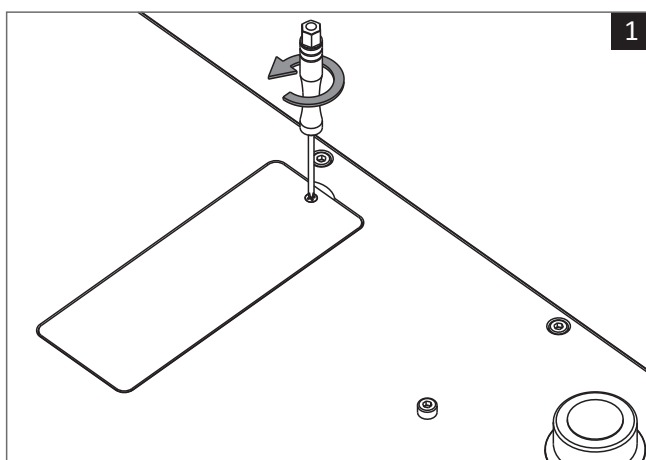
Utilisez le câble d'alimentation fourni avec votre S2. Vérifiez que l'interrupteur est en position OFF avant de brancher ou de débrancher le câble d'alimentation.

Copie de fichiers musicaux sur le lecteur SSD intégré

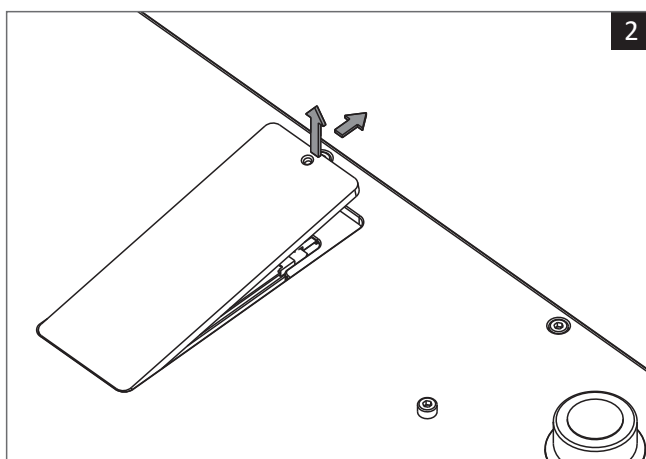
Le S2 est livré avec un lecteur SSD NVME de 1 To intégré pour stocker des fichiers musicaux.

Si vous souhaitez copier votre bibliothèque musicale sur le lecteur, il est recommandé de retirer le lecteur du S2 et de le connecter directement à votre ordinateur pour copier tous les fichiers.

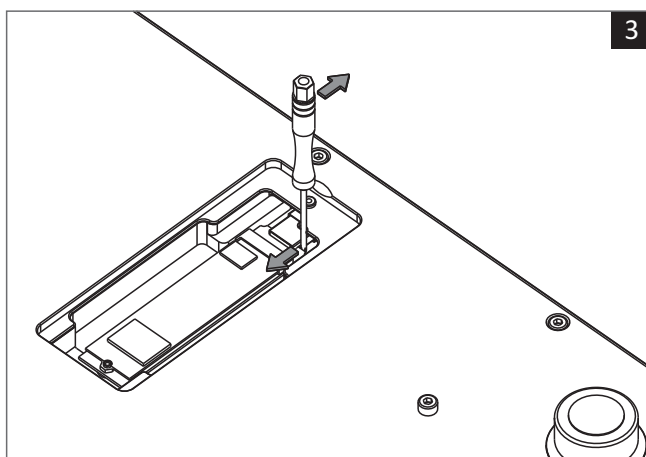
Le SSD Drive est connecté à un adaptateur USB et peut être connecté directement aux ports USB de votre ordinateur.



Utilisez un tournevis pour retirer la vis au bas du S2.



Retirez le couvercle du disque.

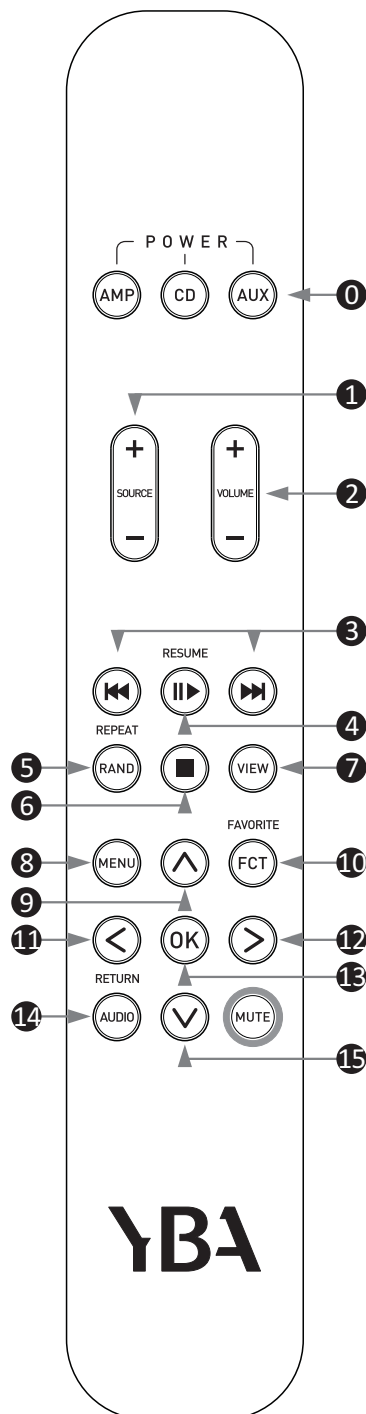


Utilisez un tournevis ou un autre outil pour pousser sur le lecteur, en le poussant hors de la fente USB interne.

FONCTIONNEMENT DE L'APPAREIL À DISTANCE

Remarque: PRESS signifie une pression courte sur une touche tandis que HOLD signifie de maintenir la touche enfoncée pendant plus de 3 secondes.

Pointez toujours de préférence la télécommande vers la fenêtre infrarouge de votre S2.



- 0 Sélectionnez l'appareil que vous voulez contrôler. Pour le S2 sélectionnez AUX
- 1 **SOURCE+/SOURCE-**: Appuyez sur SOURCE + /SOURCE pour passer à la source désirée.
- 2 **Volume + / -** : Appuyez pour contrôler le volume de S2, Il joue le rôle d'un preamplificateur pour piloter un amplificateur ou des haut-parleurs actifs.
- 3 **Piste suivante ►► / Piste précédente ◀◀** : Appuyer sur pour ◀◀ retourner au début du morceau ou ►► pour jouer le morceau suivant. Maintenir appuyer >3 sec pour avance ou recul rapide au sein du morceau.
- 4 **Play/Pause**: Lecture ►/pause|| (en alternance)
- 5 **Random (RAND)**: PRESS pour changer entre 'Shuffle' et liste de lecture. Choisissez OK. HOLD pour répéter la plage en cours.
- 6 **Stop (■)**: Arrête la musique
- 7 **View**: Permet de diminuer puis d'éteindre l'écran en appuyant plus de 3 secondes
- 8 **Menu**: PRESS pour revenir au Menu (Local songs/network service etc.)
- 9 **▲**: PRESS une fois pour revenir en arrière. PRESS OK revient au menu (Chansons/Artistes/Album etc.) Naviguez au travers du menu par les quatre flèches. Flèche du haut retourne au menu à gauche. PRESS OK pour aller à la sélection du menu (Local Songs etc.)
- 10 **FCT**: Appuyez pour ajouter la piste en cours de lecture au menu des favoris.
- 11 **<**: PRESS une fois pour revenir à la flèche. PRESS OK retourne au menu (Chanson/Artiste/Album tec.) Utilisez les flèches 'bas' gauche et droite pour naviguer dans le menu et faire votre choix.
- 12 **>**: PRESS une fois pour revenir à la flèche. PRESS OK retourne au menu (Chanson/Artiste/Album tec.) Utilisez les flèches 'bas' gauche et droite pour naviguer dans le menu et faire votre choix.
- 13 **OK**: confirme la sélection
- 14 **Return**: PRESS Return pour aller au Menu. Naviguez en utilisant les flèches pour sélectionner Chanson/Artites etc.
- 15 **v**: PRESS une fois pour revenir à la flèche. PRESS OK retourne au menu (Chanson/Artiste/Album tec.) Utilisez les flèches 'bas' gauche et droite pour naviguer dans le menu et faire votre choix.

OPÉRATION

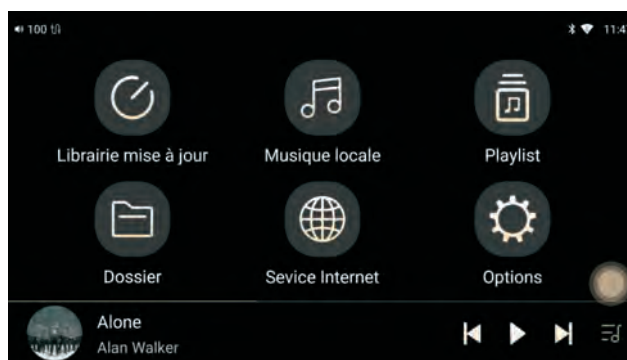
Allumer / éteindre

Appuyez sur l'interrupteur sous la face avant sur le côté gauche. Un indicateur rouge apparaît sur le côté droit de l'écran tactile.

Basculez l'interrupteur marche / arrêt du panneau avant vers le haut pour allumer l'appareil. Maintenez la position pendant 2-3 secondes. La lumière rouge sera remplacée par une lumière bleue clignotante qui deviendra alors fixe lorsque l'appareil sera prêt à l'emploi. Il est prêt à l'emploi lorsque vous voyez les options disponibles sur l'écran.

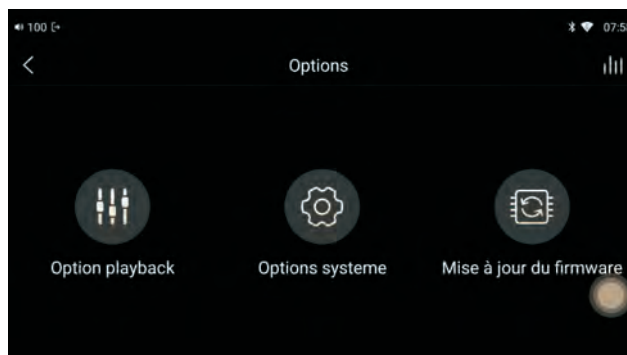
Pour éteindre à tout moment, utilisez simplement l'interrupteur dans un mouvement vers le bas. Pour éteindre, maintenir pendant 2-3 secondes. L'unité se mettra en veille (indicateur rouge). Pour éteindre complètement après cette étape, utilisez l'interrupteur situé sous la face avant.

Sélectionnez « Paramètres » dans les options



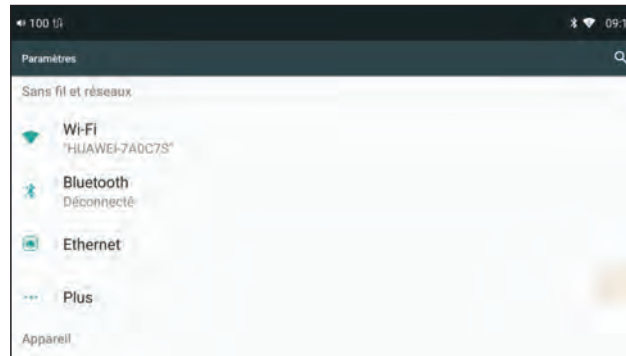
Mise à jour du firmware:

Lorsqu'une mise à jour du firmware est disponible, vous en serez informé. C'est un processus simple à suivre. Cependant, comme la mise à jour prend un peu de temps, lorsque des mises à jour sont disponibles, un lien sera publié sur le site Web de YBA. Ce que nous vous suggérons de faire est d'ouvrir ce lien, de télécharger le fichier ZIP sur une clé USB (ne décompressez pas le fichier) et d'installer la mise à jour directement depuis votre clé USB. Pour ce faire, vous utilisez l'entrée USB1 ou USB2 et sélectionnez la mise à jour du micro logiciel / mise à niveau locale et suivez les indications. Choisissez la mise à jour native.



Les paramètres du système

Lorsque vous naviguez dans ces paramètres, pour revenir aux options, balayez de gauche à droite sur l'écran.



WLAN:

Les réseaux disponibles apparaissent en proposition. Sélectionnez et entrez les détails de votre réseau. Assurez vous d'avoir sélectionné le bouton ON sur la droite.

Sous l'indicateur ON se trouve le bouton de réglages (settings). Ici vous pouvez choisir plusieurs options

Bluetooth:

Pour appairer un appareil avec le S2, ouvrez les paramètres du smartphone ou de la tablette. Choisissez Bluetooth sur l'appareil et le S2 apparaîtra en option. Sélectionnez la connexion en vous assurant que vous avez bien activé "Bluetooth" sur le S2. Votre appareil apparaîtra alors dans les paramètres Bluetooth du S2. Appuyez pour sélectionner les deux et un code apparaîtra sur votre appareil. Appuyez sur ce code pour activer l'appairage. N'oubliez pas que votre appareil ne peut avoir qu'un seul couplage actif à la fois. Lorsque vous arrêtez d'utiliser le Bluetooth, la connexion s'éteint.

Ethernet:

Si vous choisissez d'utiliser une connexion Internet filaire, entrez les détails ici.

More:

Permet de réinitialiser les paramètres réseau.

Display:

Le modèle de clé virtuelle utilise par défaut le mode boîte flottante - toucher ce cercle sur l'écran revient à revenir à l'écran précédent.

Audio:

Taux d'échantillonnage fixe en sortie : Choisissez "Bypass" pour lire l'audio dans sa forme originale non modifiée. Vous pouvez également choisir entre 48 kHz et DSD256 pour définir le rééchantillonnage ou la conversion PCM-DSD pour tous les fichiers audio lus.

Sélectionnez la sortie : Choisissez entre la sortie préamplificateur ou la sortie line-out qui permet de contrôler le volume directement sur le S2. Également disponible dans le menu déroulant.

Mode de filtre passe-bas : Choisissez parmi six filtres numériques proposés, qui agissent sur le traitement des données dans le convertisseur numérique-analogique (DAC) et modifient le son global.

Balance : Permet de régler l'équilibre des canaux gauche/droit.

Qualité de lecture sans fil : Définit le codec qui sera utilisé lorsque le S2 est utilisé comme émetteur Bluetooth. Ce réglage n'a aucun effet sur l'utilisation du S2 en mode récepteur Bluetooth.

Airplay : Permet de transformer le S2 en récepteur Airplay. Également disponible dans le menu déroulant.

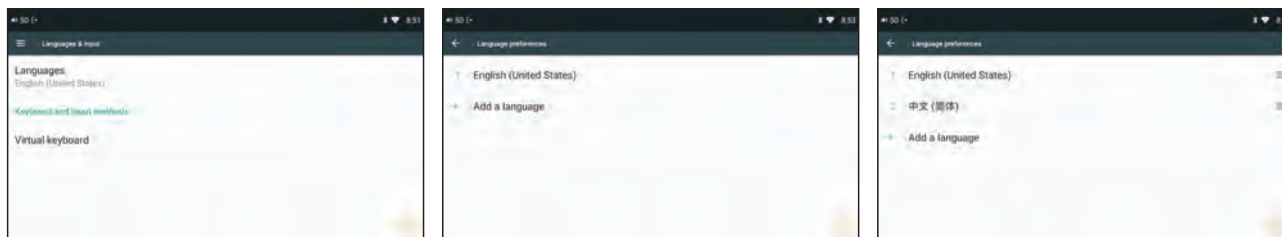
Stockage:

Accès à la mémoire interne du système Android et du SSD interne.

Ensuite, des préférences plus personnelles peuvent être définies

Langues:

La valeur par défaut est l'anglais. Lors de l'utilisation d'un écran de clavier, d'autres options seront disponibles



Sauvegarde et réinitialisation:

Cela réinitialisera votre S2 aux paramètres d'usine d'origine et il est préférable de le laisser intact, sauf si nécessaire.

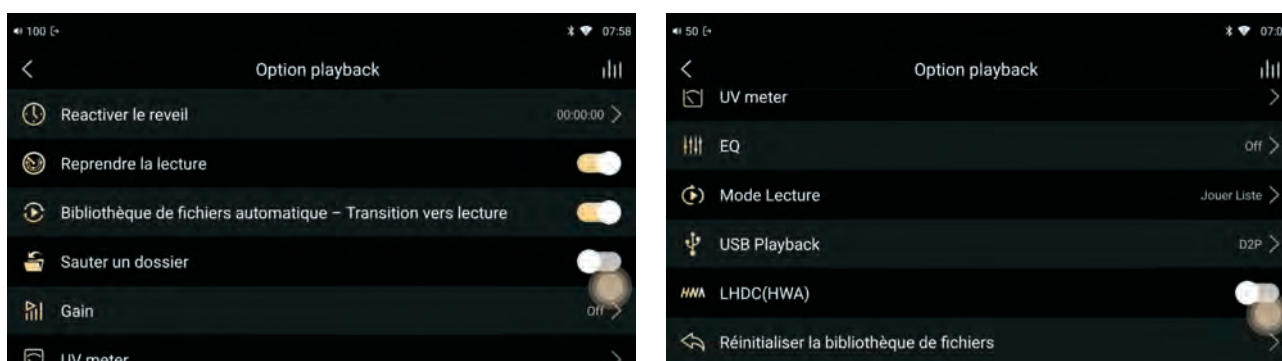
Date et l'heure:

Faites d'abord défiler les options pour sélectionner votre fuseau horaire. Choisissez si vous préférez le format 12 ou 24 heures. Une fois terminé, faites défiler vers le haut et sélectionnez Date et heure automatiques et Fuseau horaire automatique.

Glissez vers la droite pour revenir au menu Paramètres.

Paramètres de lecture:

À partir de ce moment, vous remarquerez une flèche de retour en haut à gauche de l'écran pour toute navigation future. Ces paramètres doivent être configurés selon vos préférences personnelles.



Utilisez la flèche de retour en haut à gauche de l'écran pour toute navigation. Ces paramètres doivent être configurés selon vos préférences personnelles.

Sleep Timer: Arrêt Programmé

Peut être réglé si nécessaire. Sinon, laissez simplement le réglage d'usine de 00.00.00

Resume playback:

Activer / désactiver la lecture.

Automatic library - Playback transition:

Sélectionnez On ou Off. Permet d'ouvrir la page de lecture quand une piste est sélectionnée dans la liste.

Folder Skip:

Saut de dossier. Sélectionnez On ou Off.

Gain:

Pour modifier le niveau d'entrée du signal audio.

UV meter:

Permet d'afficher un VU-mètre sur l'écran. 3 couleurs différentes peuvent être sélectionnées.

EQ:

Egaliseur : Permet de choisir vos réglages. Sélectionnez On ou Off.

Playback mode:

Modes de lecture. Choisissez parmi List Play (Liste de lecture) / Shuffle (Aléatoire) / Repeat All (Répéter tout) / Repeat Track (Répéter la piste).

USB PLAYBACK (DSD)

Sélectionnez D2P, DoP (qui utilise les informations d'origine sans conversion) ou Native. La valeur par défaut est D2P. Agit uniquement sur la sortie USB du DAC externe.

LHDC:

Codec Bluetooth. LHDC est un transmetteur Bluetooth qui bénéficie de la certification Hi-Res Audio. Lorsque vous sélectionnez On, l'encodage LHDC est activé. Si le casque ou les écouteurs prennent en charge le LHDC, l'encodage LHDC est utilisé pour transmettre les données (sélectionner On). Attention, certains casques ne sont pas compatibles (sélectionner Off).

Reset library:

Réinitialisation de la bibliothèque. Faites attention ici car une réinitialisation supprimera toutes les listes de lecture, les favoris, les informations récemment lues et les fichiers. Une fois tous les paramètres du système et les paramètres de lecture saisis, appuyez à nouveau sur la flèche de retour pour revenir à l'écran de fonctionnement utile.

Scan Songs:

Si vous utilisez une clé USB ou un disque dur en USB-1 ou USB-2 ou si vous avez utilisé un transfert de fichiers Wi-Fi, vous devez scanner les chansons dans le système. Initialement, toutes les chansons seront enregistrées dans les scan songs. Appuyez sur Scan songs puis sur Scan now et vous recevrez les informations sur le nombre de morceaux numérisés.



Local Songs:

Choisissez Local Songs pour commencer à écouter votre musique. N'oubliez pas que vous devez avoir choisi des Local Songs dans vos options d'entrée.

Cela vous donne la possibilité d'écouter les chansons par morceaux / artiste / album / genres et listes de lecture. En choisissant l'une de ces options, vous verrez tous les morceaux / artistes / albums classés par ordre alphabétique. Vous pouvez ajouter des informations supplémentaires comme suit ...

Songs: en appuyant sur le symbole des 4 lignes verticales en haut à droite de l'écran après avoir sélectionné une chanson, vous verrez les détails de l'album montrant la pochette, le titre de l'album et l'artiste. Directement sous la couverture de l'album, vous verrez un coeur - une pression sur cette touche ajoute cette chanson particulière à vos Favoris. Vous verrez également le numéro de la chanson en question qui apparaît sur l'album.

En appuyant sur l'icône d'information, vous accédez à des informations détaillées plus disponibles concernant la chanson.

Revenir à la chanson elle-même et appuyer sur le symbole à droite de la chanson vous donne davantage d'informations et vous permet également de positionner où la chanson pourrait apparaître dans votre liste (Ajouter à). Vous pouvez également l'ajouter à une liste de lecture.

Créez une liste de lecture par nom en touchant le + en haut à droite de l'écran. Vous pouvez ajouter autant de listes de lecture que vous le souhaitez.

Si vous le souhaitez, vous pouvez également supprimer la chanson et vous avez les options à supprimer de partout où vous l'avez ajoutée (c'est-à-dire Favoris / Playlists) Artistes / Albums: Vous avez les mêmes options que les chansons

Même si vous choisissez de naviguer vers d'autres zones pour vérifier les paramètres, etc., la musique continuera de jouer.

Playlist:

En choisissant Playlist dans le menu, vous accédez à un écran qui répertorie les listes de lecture et les favoris.

Folder:

Il contient des informations relatives au stockage interne et externe. Interne concerne uniquement des informations système - Externe concerne ce que vous avez pu transférer via votre transfert de fichiers Wi-Fi. Vous pouvez toujours utiliser ce dossier si vous le souhaitez.

Network Services - Services Internet:

DLNA:

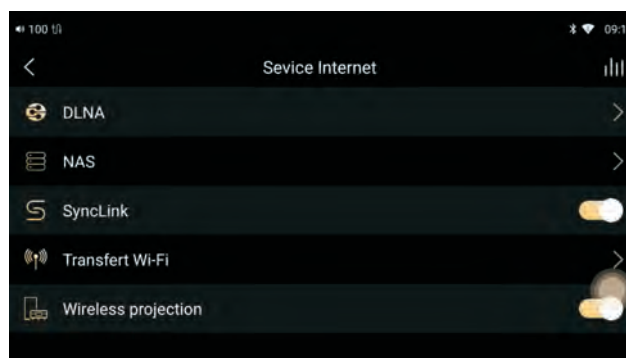
Notez qu'il existe deux fonctionnalités:

DMS (Digital Media Server) nécessite une connexion de périphérique de stockage externe (par exemple, un lecteur flash USB, un disque dur portable), puis activez le bouton DLNA.

Exemple: une application tierce (par exemple mConnect, BubbleUPnP) parcourt un répertoire de fichiers partagé par DMS sur le S2. Vous pouvez ensuite parcourir ce répertoire de fichiers partagé par le S2 sur (par exemple) mConnect.

DMR (Digital Media Renderer) s'ouvre avec DLNA, se ferme avec DLNA.

Exemple: une application tierce (par exemple mConnect, BubbleUPnP) lit les fichiers audio via DMR sur le S2. Utilisez le S2 pour lire ces fichiers audio sur mConnect.



Activer ou désactiver le DLNA :

Pour ajouter un dossier partagé DLNA. Pour consulter la liste des dossiers partagés DLNA. On ou Off.

NAS:

Recherche les serveurs NAS.

SyncLink:

Permet le contrôle de S2 en mode playback local ou en Bluetooth, utilisant l'application Eddict player depuis votre smartphone ou votre tablette.

Transfert de fichiers Wi-Fi:

Votre PC et votre S2 doivent utiliser le même réseau. Vérifiez que votre connexion wifi est toujours activée (Paramètres système WLAN ou Ethernet). Choisissez USB-DAC parmi les options de sélection d'entrée.

Vous verrez une instruction sur l'écran de transfert de fichiers pour accéder à votre navigateur sur votre PC. Veuillez noter les deux points: dans l'adresse du lien. Cela vous amènera dans une zone où vous pourrez télécharger des fichiers de votre PC vers le S2.

Remarque: Avant d'établir cette connexion, cliquez sur l'icône des paramètres en haut à droite de l'écran. Il vous offrira le choix de stocker les informations en permanence dans le stockage interne S2.

Appuyez sur le stockage interne et vous serez dirigé vers une large sélection d'options.

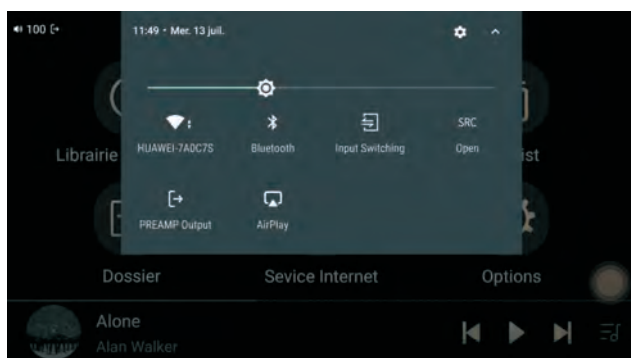
Cela peut être changé chaque fois que vous téléchargez, mais cela doit être fait avant le téléchargement.

Wireless projection:

Permet de contrôler le S2 via Wi-Fi, en utilisant l'application Eddict player sur votre smartphone ou votre tablette. L'affichage de S2 sera complètement reproduit sur votre smartphone, vous donnant accès à toutes les fonctions et menus du S2.

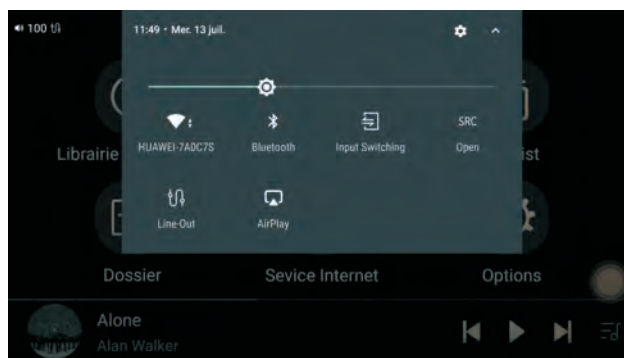
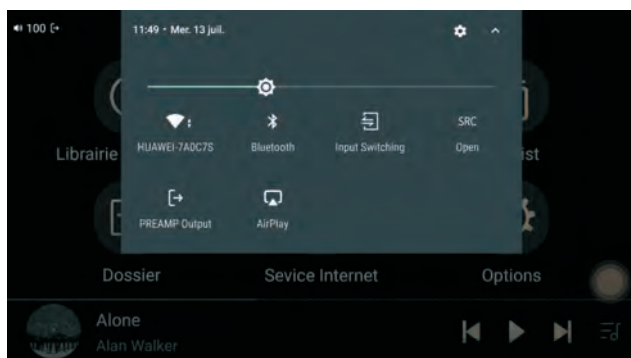
Faites glisser le menu SRC vers le bas :

Cliquez pour activer/désactiver SRC (taux d'échantillonnage de sortie fixe). Appuyez longuement pour accéder à l'écran des paramètres de taux d'échantillonnage de sortie fixe. Dans les paramètres système.



Sortie préampli // Sortie ligne.

Sélection de la sortie préamplificateur ou de la sortie ligne qui permet de contrôler le volume directement sur le S2.



Sélection des entrées :

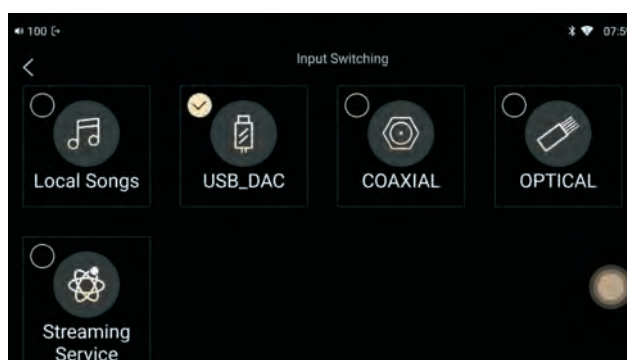
Choisissez l'entrée de votre choix, en vous rappelant que pour écouter du matériel sur USB, vous choisissez des musiques locales (Local songs). N'oubliez pas que vous devez numériser le contenu de votre clé USB pour qu'il apparaisse dans la bibliothèque de Local songs.

Pour utiliser l'option **USB-DAC**, un téléchargement est requis pour Windows. Aucun téléchargement n'est requis pour Mac.

Le fichier peut être téléchargé du site Web vient de YBA - www.ybahifi.com/downloads.html

Après avoir téléchargé et installé, vous aurez la possibilité via vos paramètres sonores d'utiliser Eddict Audio Device pour écouter de la musique stockée sur votre PC. Le périphérique de sortie audio de votre PC sera temporairement désactivé et le S2 deviendra le périphérique audio par défaut. Si vous souhaitez déconnecter votre S2 et revenir à votre carte son, revenez à vos paramètres audio et choisissez la sortie de votre PC. Vous devrez choisir USB-DAC dans l'option de commutation d'entrée.

Lorsque vous choisissez Coaxial / Optical et USB-DAC, le S2 agit comme un décodeur DAC de grande qualité.



Services de streaming:

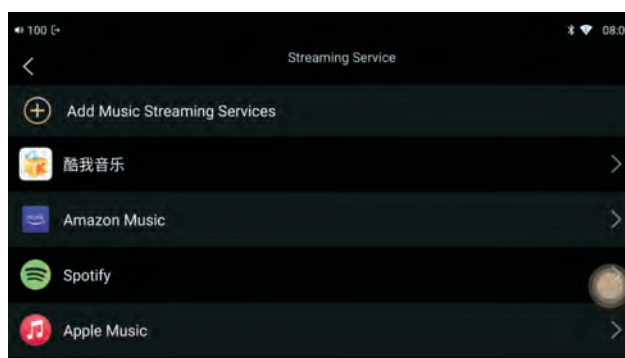
Actuellement, dix options de streaming sont installées et d'autres suivront dans une prochaine mise à jour du micrologiciel.

Il est nécessaire de saisir les identifiants de votre compte dans chacun d'eux, puis de vous connecter.

Ces données ne devront être saisies qu'une seule fois.

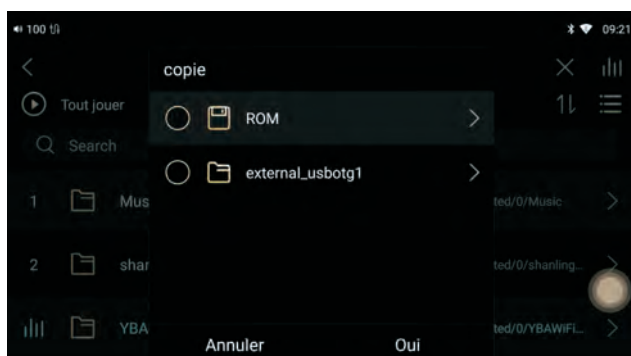
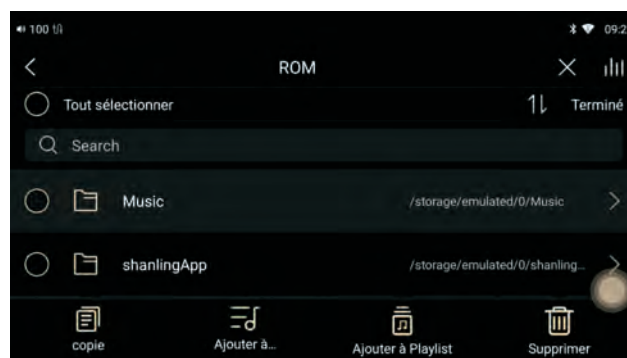
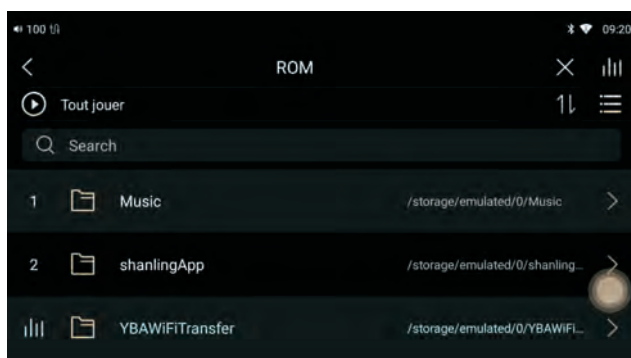
Si vous vous inscrivez à l'un de ces services pour la première fois, nous vous conseillons de vous inscrire via votre PC ou votre appareil mobile, puis de saisir les informations de connexion dans le S2.

Si votre connexion wifi est bonne, il vous suffit de sélectionner l'option de votre choix pour écouter votre musique préférée.



Copier des fichiers depuis des clés USB vers le SSD interne:

Ouvrez la navigation dans les dossiers et accédez aux fichiers sur la clé USB. Cliquez sur le bouton de sélection multiple dans le coin supérieur droit et choisissez les fichiers que vous souhaitez copier. Cliquez ensuite sur Copier et choisissez l'emplacement du SSD. Il est recommandé de lire les fichiers du SSD interne pour des performances optimales.



Specifications du S2

FORMATS DES FICHIERS

Formats supportés	AIFF, WAV(LPCM), FLAC, MP3, WMA, AAC DSD512
Taux d'échantillonnage	32 - 768KHz 16bit, 24bit, 32bit

NETWORK/ RÉSEAU

Ethernet	10/100 Base-T (RJ45)
WiFi	IEEE 802.11b/g/n
WPS	Compatible
DLNA	1.0/1.5 compatible
UPnP	DMP/DMR
Network Service	Services de streaming sélectionnés
AirPlay	inclus OUI

AUDIO

Entrées numériques	Coaxial, Optical, USB (DAC), USB (host), Bluetooth 4.2 avec LDAC
Sorties audio	RCA plaqués or, Balanced XLR

SORTIES LIGNES

Niveau de sortie RCA	2.25V
Niveau de sortie symétrique	4.5V
Rapport signal/bruit	107 dB
Distorsion	0.0008%

Convertisseurs D/A	AKM AK4497EQ x 2 (32 bits / 768kHz natif)
Alimentation	Alimentation linéaire avec un transformateur haute performance
Dimensions (L x l x H)	430 mm x 388 mm x 115 mm
Finition	Noir
Poids	9.1 kg

警告和注意事项



注意：为降低触电风险，请勿尝试打开设备。内部没有用户可维修的部件。只能由合格的维修人员进行维修。



等边三角形内带有箭头符号的闪电旨在提醒用户注意产品外壳内存在未绝缘的危险电压，该电压可能足以构成触电风险。



等边三角形内的感叹号旨在提醒用户注意产品随附的文献中存在重要的操作和维护（维修）说明。

本产品的设计和制造符合严格的质量和标准。在使用产品之前，您应该阅读所有安全和操作说明。保留手册以供将来参考，并遵守手册或放大器上的所有警告。

警告：为降低火灾或触电的风险，请勿将本产品暴露在雨中或受潮。

靠近水的地方有电可能很危险。请勿在室外或任何水源附近使用本产品，例如浴缸、洗脸盆、厨房水槽、潮湿的地下室或游泳池附近等。注意不要让物体掉落，不要让液体溅入外壳通过任何开口。

请勿将本产品放置在床、沙发、地毯或类似的柔软表面上，或者放在封闭的书柜或橱柜中，因为这些地方可能会阻碍通风。我们建议在产品的所有侧面和顶部周围至少留出100毫米（4英寸）的距离，以提供足够的通风。确保产品下方和顶盖上的通风孔没有被任何物体或灰尘覆盖或遮挡。

使产品远离明火或发热设备，例如散热器、火炉或其他产生热量的电器（包括其他电子设备）。该放大器专为在温和气候下使用而设计。

切勿尝试超出本手册中描述的范围来维修产品。所有其他维修应交由合格的维修人员进行。此设备中使用的唯一保险丝位于AC插座上。始终使用与您的设备提供的保险丝完全相同的保险丝。

如果从产品中检测到异常气味或烟雾，请立即关闭电源并从墙壁插座上拔下设备插头。立即联系您的经销商。

在以下情况下，应将产品提交给合格的服务人员：

电源线或插头损坏。

产品掉落或外壳损坏

物体掉落或液体溅入产品。

产品已受潮。

产品似乎无法正常运行或表现出明显的性能变化。

感谢您购买我们的YBA系列产品。我们相信它将为为您提供多年的聆听乐趣。

YBA系列产品的制造与自1981年我们创建的所有其他产品一样，都拥有同样的自豪感和对细节的关注。您的新产品将为为您提供最佳的音频质量。

本用户手册旨在为您提供安装、连接、设置和使用产品所需的所有信息。为了您自己的安全并确保不会发生损坏，我们强烈建议您在安装前仔细阅读安全指南。

我们建议您使用推荐用于音频设备的机架或支架。如果您的设备位于便携式机架上，则应小心移动，以免发生任何意外。

始终建议在清洁之前将设备从电源上拔下。柜子通常只需要用柔软、潮湿的无绒布擦拭即可。请勿使用油漆稀释剂或其他化学溶剂进行清洁或家具清洁喷雾剂或抛光剂，因为它们会造成不可磨灭的白色痕迹。

仅将产品连接到操作说明中描述或后面板上标记的类型的电源。请务必检查注明的电压。电源线的布线应避免踩到或被放置在其上或靠在其上的物品夹住。仅使用放大器随附的电源线。

如果长时间不使用，请拔下电源线或将其关闭。

本产品的设计符合IEC 62368国际电气安全标准以及CE和RoHs规定。图示的“交叉垃圾箱”是指设备不得与普通垃圾一起丢弃，而必须收集起来进行再利用、循环利用和其他形式的回收。如果不再需要，则必须将其存放在适当的收集点。

YBA是YBA SAS的注册商标，仅限YBA、其子公司和授权代理使用。本手册中引用的所有其他品牌和产品名称均为其各自所有者的注册商标和财产。

免责声明：本手册中包含的所有信息在出版时都是正确的。但是，由于我们的工程师一直在更新和努力改进我们的产品，您的产品可能与本手册中介绍的外观、性能或修改后的功能略有不同。

YBA保修政策信息

YBA保证本产品不存在材料和工艺缺陷，但须遵守以下规定：

保修期可能因国家/地区和当地法规而异。请咨询您的经销商或分销商以确认您所在国家/地区的保修期限。

YBA将在保修条款内维修或更换本产品（由YBA自行选择）或本产品中的任何缺陷部件。

YBA保修仅适用于原始购买者。始终确保您保留有效的购买证明。

YBA不对因违反本产品的任何明示或默示保证而导致的任何附带或间接损害承担责任。

除法律禁止的范围外，本保证是排他性的，可代替所有其他明示和暗示的保证。

YBA保修不影响您的法定权利。

保修程序

要获得保修服务，请联系您购买本产品的YBA授权经销商。您的经销商会将产品送到注册的YBA服务中心。

运送到服务中心的费用由您承担，并且您的放大器必须包装在其原始纸箱或提供同等保护程度的包装中。

必须出示销售单或收据形式的购买证明，证明该产品在保修期内，才能获得保修服务。

本保修无效，如果

1. 本产品的出厂序列号已被修改、更改或删除。
2. 本产品不是从YBA授权经销商处购买的。
3. 产品显示任何非YBA授权服务中心维修或尝试维修的证据。

非保修范围

因正常磨损而进行的维护和服务或更换零件。

因产品误用或将本产品用于非家庭用途而产生的问题。

正常或异常磨损导致外机壳损坏。

由极端情况引起的故障（例如由于闪电、洪水、湿气、火灾等造成的损坏...）

由于扬声器输出短路而引起的故障。

因震动或产品跌落造成的故障。

退回授权服务中心时使用不当包装造成的损坏或缺陷。

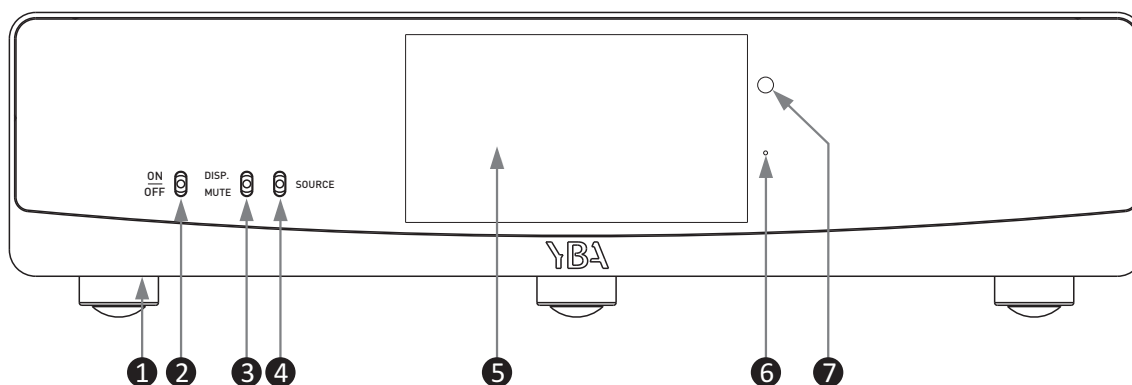
由电源线、电源滤波器、扬声器等其他设备或附件造成的故障。

由于未经批准的技术人员进行维修、修改或清洁或使用非YBA零件。

由于未经授权打开或篡改设备而导致的故障。

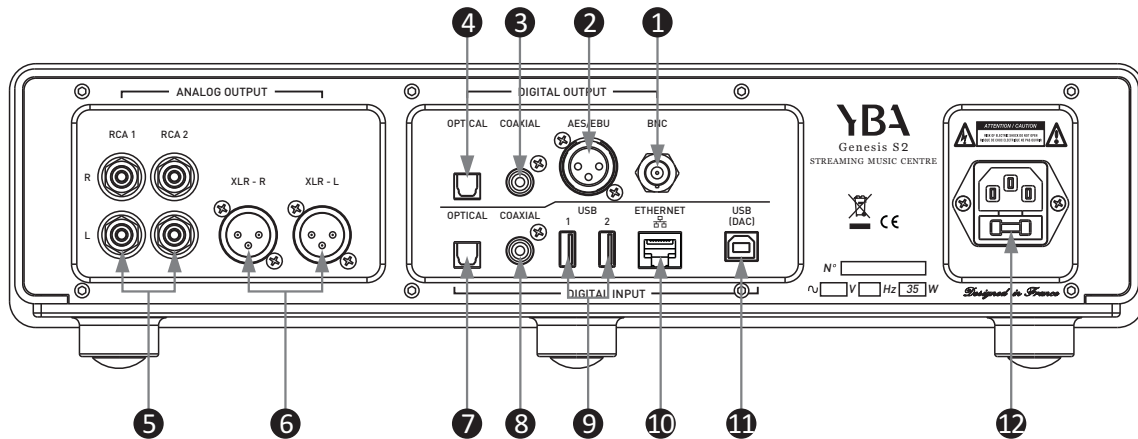
数据/文件的全部或部分丢失。

探索您的S2：前视图



- ① 电源开关 使用机器下方的这个开关来开启或关闭S2
- ② 开/关 向上切换以从待机状态打开/向下切换以进入待机状态
- ③ 显示/静音 切换以启用或禁用屏幕显示/向下切换以静音
- ④ 输入 在不同的输入之间进行选择
- ⑤ 触摸屏 130 x 71 mm TFT LCD显示屏（可见区域）
- ⑥ 启动指示灯 打开电源时，蓝色LED闪烁，纯蓝色机器已准备好使用。如果处于待机LED为红色。
- ⑦ 红外传感器 将遥控器指向此传感器，以便远距离控制

探索您的S2：后视图



警告

在连接或断开任何输入或输出之前，请始终确保您的S2处于关闭位置。如果您有任何疑问，请从电源插座上拔下交流电缆。

确保连接到播放器的所有组件都设置为关闭。

整齐地安排和组织进出S2和所有组件的接线。将交流电线与音频电缆分开，以防止嗡嗡声或其他不需要的噪音进入系统。

- ① BNC数字输出** BNC数字输出允许您连接外部DAC或数字录音机。
- ② AES/EBU数字输出** AES/EBU数字输出允许您连接外部DAC或数字录音机。
- ③ 同轴数字输出** 同轴数字输出允许您连接外部DAC或数字录音机。
- ④ 光纤数字输出** 光纤数字输出允许您连接外部DAC或数字记录器。
- ⑤ RCA输出1和2** 前置放大输出。如果您想使用低音炮、单独的功率放大器或一些有源扬声器，请使用此连接

探索您的S2：后视图

- 6** XLR输出

平衡输出必须与平衡输入的设备一起使用。

YBA认为RCA连接质量比XLR更好连接，除非电缆连接很长。

XLR标准：1地2正3负
- 7** 光纤数字输入

连接到数字音频源的光纤输出（例如数字电视）通过光缆。
- 8** 同轴输入

通过同轴电缆连接到数字音频源的同轴输出。
- 9** USB 1和USB 2

USB（A型）主机端口，供U盘或硬盘使用。
- 10** 以太网输入

使用RJ45-RJ45直通（非交叉）网络电缆将设备永久连接到网络。使用适合网络类型的电缆，例如10/100 base-T（大多数家庭网络）。这允许将设备插入计算机网络，强烈建议在有线连接已经可用或可以安装的地方使用。应使用标准UTP RJ45网络电缆将设备连接到网络路由器。这是选择使用无线连接的一个选项。
- 11** USB-DAC

USB B型输入允许直接连接到PC/Mac；S2操作完全独立于您的计算机内置声卡，无论您的计算机是否有声卡都将运行。
- 12** 电源输入

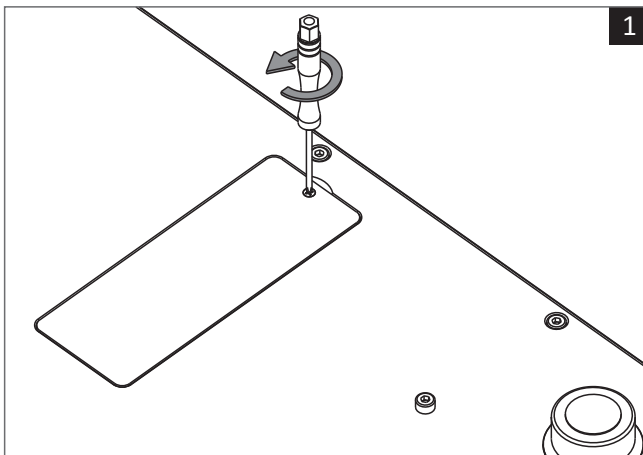
使用随S2提供的电源线。在插入或拔出电源线之前，请确保开关处于关闭位置。

将音乐文件复制到内置SSD硬盘

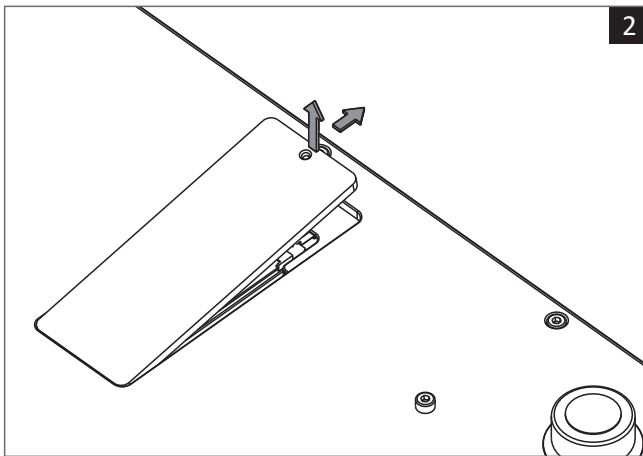
S2 配备内置1TB NVME SSD硬盘，用于存储音乐文件。

如果您希望将音乐库复制到硬盘上，建议从S2中移除硬盘并将其直接连接到您的计算机以复制所有文件。

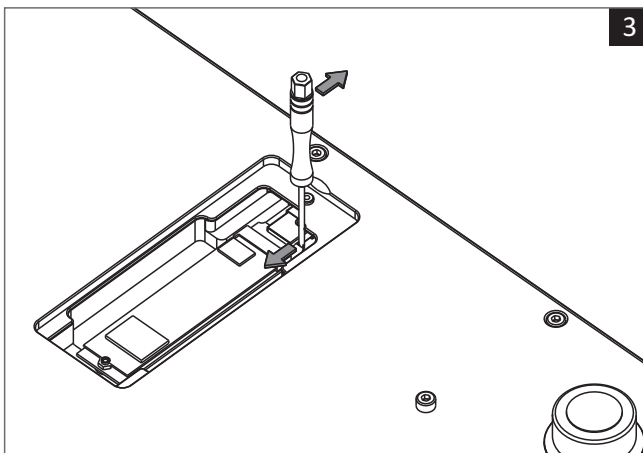
SSD硬盘连接到USB适配器，可以直接连接到计算机上的USB端口。



用螺丝刀卸下S2底部的螺丝。



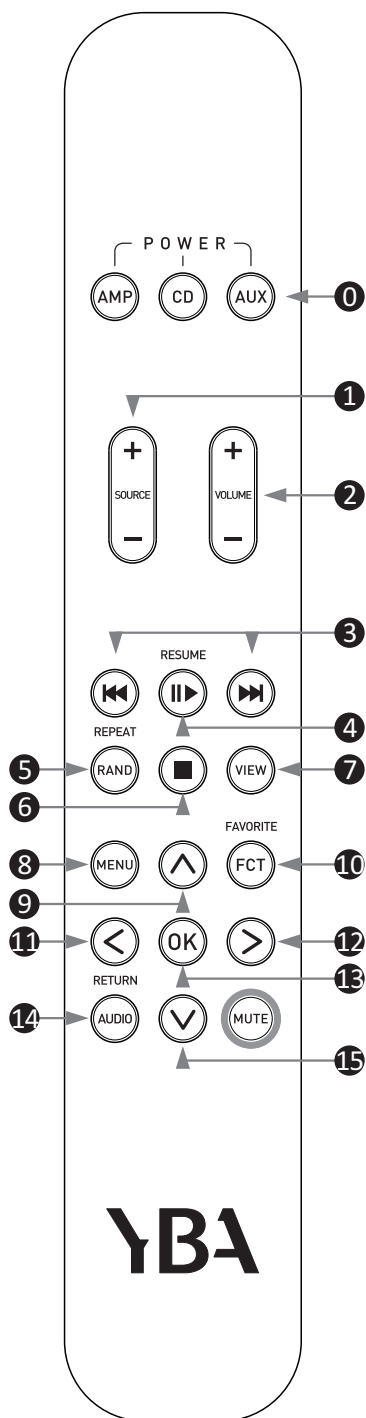
取下硬盘盖。



使用螺丝刀或其他工具推动硬盘，将其从内部USB插槽中推出。

遥控器操作

始终将遥控器指向S2的IR窗口。



- ① 选择您要控制的设备，要控制S2，请选择AUX。
- ② **SOURCE+/SOURCE-**: 按 SOURCE+/SOURCE- 跳至所需的信号源。
- ③ **Volume+/-**: 按下可以控制S2的输出音量，可直接连接主动式音箱或者后级放大器使用
- ④ **Previous/Next Track** ▶▶/◀◀: 按下 ◀◀ 返回曲目起点或 播放 ▶▶ 下一首曲目，按住>3秒可快进或快退到歌曲的开头或结尾。
- ⑤ **Play/Pause**: 按下可在播放(▶)和暂停(⏸)之间切换。
- ⑥ **Random (RAND)**: 按下可在随机播放和列表播放之间切换，选择确定。按住以重复当前曲目。
- ⑦ **Stop(■)**: 按下停止播放。
- ⑧ **View**: 按下查看按钮超过三秒钟，显示屏将关闭，再按一下就亮了。
- ⑨ **Menu**: 按返回选择菜单（本地歌曲/网络服务等）。
- ⑩ **∧**: 按一次返回箭头，按OK返回菜单（歌曲/艺术家/专辑等）。再按一次进入选择菜单（本地歌曲/网络服务等）。
- ⑪ **FCT**: 按 将当前播放的曲目添加到收藏夹菜单。
- ⑫ **<**: 按一次返回箭头，按OK返回菜单（歌曲/艺术家/专辑等）。使用向下、向右和向左箭头浏览菜单以选择选择。
- ⑬ **>**: 按一次返回箭头，按 OK 返回菜单（歌曲/艺术家/专辑等）。使用向下、向右和向左箭头浏览菜单以选择选择。
- ⑭ **OK**: 确认/选择项目。
- ⑮ **Return**: 按下返回菜单，使用箭头键导航以从歌曲/艺术家等中进行选择。
- ⑯ **V**: 按一次返回箭头，按OK返回菜单（歌曲/艺术家/专辑等）。使用向下、向右和向左箭头浏览菜单以选择选项。

操作

开启/关闭

按下左侧前面板下方的开关，触摸屏右侧将出现一个红色指示器。

将前面板开/关开关向上拨到开，保持2-3秒，红灯将被蓝色闪烁灯取代，当设备准备好使用时，该灯将变为常亮。当您看到选项屏幕时，它就可以使用了。

要随时关闭，只需使用向下运动的拨动开关关闭并按住 2-3 秒，设备将进入待机状态（红色指示灯）。要在此步骤后完全关闭，请使用前面板下方的开关。

从选项屏幕中选择设置:



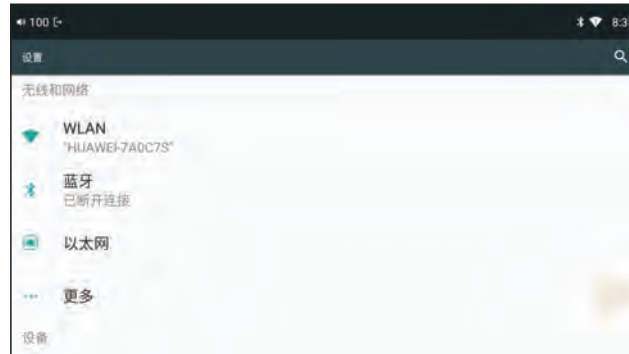
固件升级:

当固件更新可用时，您会被告知。这是一个简单的过程。但是，因为以这种方式更新有点费时，所以当更新可用时，YBA网站上会发布一个链接。我们建议您打开该链接，将ZIP文件下载到U盘（不要解压缩文件），然后直接从您的U盘安装更新。为此，您可以使用USB1或USB2输入并选择固件更新/本地升级并按照提示进行操作。选择本机更新。



系统设置：

在浏览这些设置时，为了返回选项菜单，请在屏幕上从左向右滑动。



无线局域网：

将列出可用的网络。选择然后输入您的网络的详细信息。确保您已选择右上角的打开按钮。On 指示灯上方是一个设置按钮。如果需要，您可以在此处获得更多选择。

蓝牙：

要将设备与S2配对，请打开设备上的设置（手机/平板电脑等）。在设备上选择蓝牙，S2将作为一个选项出现。选择连接，确保在S2上您已将蓝牙“打开”。然后，您的设备将出现在S2的蓝牙设置中。点击以选择两者，您的设备上将出现一个代码。

点击此代码以启用配对。请记住，您的设备在任何时候只能启用一对配对。当您停止使用蓝牙时，连接将关闭。

以太网：

如果您选择使用有线互联网连接，请在此处输入详细信息。

更多的：

添加VPN

可以重置网络选择

显示

亮度调整

悬浮球操作或者手势操作

音频：

固定采样率输出：可选择从DSD256-48Khz，也可以选择bypass按照原文件格式。

输出选择：选择可调节音量的前级输出或固定输出。

数字滤波器选择：提供六种不同的数字滤波选择，带来不同音色。

声道平衡：提供左右声道不同的输出电压（一般不推荐使用）。

无线播放品质：提供蓝牙格式的优先匹配选择。

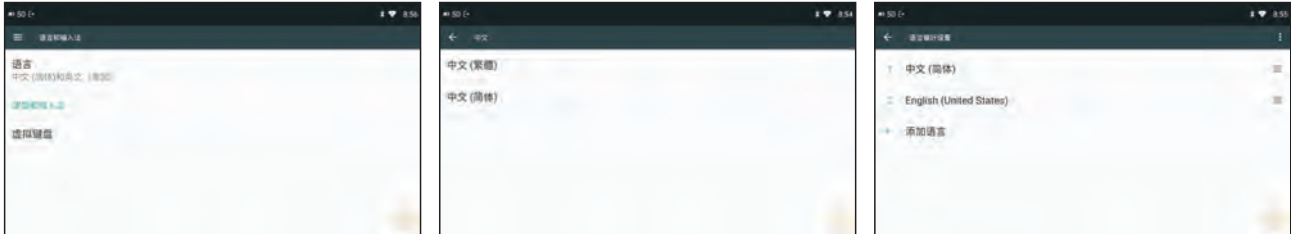
AirPlay：进入AirPlay播放模式。

储存

内部SSD硬盘的存储空间情况，以及外置移动储存设备的存储空间情况。

接下来可以设置更多个人喜好语言：

开机默认语言为英语，如需把语言调整为中文，请把中文移到1的位置，即可完成。



恢复出厂设置：

这会将您的S2重置为原始出厂设置，除非必要，否则最好保持不变。

日期和时间：

首先向下滚动选项以选择您的时区。选择您喜欢12小时制还是24小时制。完成后，向上滚动并选择自动日期和时间以及自动时区。

触摸浮动框返回上一屏幕。

播放设置：

从此时起，您会注意到屏幕左上角有一个后退箭头，用于以后的所有导航。这些设置将根据您的个人喜好进行配置。



睡眠定时器：

可以根据需要设置，否则只需保持出厂设置 00.00.00。

记忆播放：

设置为开/关。

自动进入播放页：

设置为开/关。

文件夹跳过：

设置为开/关。

回放增益:

设置为开/关。

UV电平:

设置是否自动显示UV电平表。

三个UV电平主题颜色可选。

均衡器:

选择开或关，您可以在此处输入自己的均衡器设置，按关闭，接下来选择开并设置为您的偏好。

播放模式:

从列表播放/随机播放/全部重复/重复曲目中选择。

USB 播放 (DSD):

选择D2P、DoP（使用未经转换的原始素材）或Native，默认为D2P。

LHDC:

选择开或关，LHDC是蓝牙发射器，选择开启时，LHDC编码开启。如果耳机或耳机支持LHDC，则使用LHDC编码传输数据。

重置库:

请注意，重置将删除所有播放列表、收藏夹、最近播放和文件信息。

输入所有系统设置和播放设置后，再按一次返回箭头将带您进入实际操作屏幕。

扫描音乐:

如果您在USB-1或USB-2中使用USB记忆棒或硬盘驱动器，或者如果您使用了wi-fi文件传输，则必须将歌曲扫描到系统中。最初，所有歌曲都将保存到本地歌曲中。点击扫描歌曲，然后点击立即扫描，您将收到有关已扫描歌曲数量的信息。



本地音乐：

选择本地歌曲开始聆听您的音乐，请记住，您必须从输入切换选项中选择本地歌曲。

这使您可以选择如何按歌曲/艺术家/专辑/流派和播放列表收听歌曲。选择其中一个选项，您将看到按字母顺序列出的所有歌曲/艺术家/专辑。您可以添加更多信息，如下所示...

歌曲：选择歌曲后，按屏幕右上角的4竖线符号，您将看到歌曲的详细信息。

显示封面、专辑名称和艺术家的专辑。在专辑封面的正下方，您会看到一颗心 - 按下它会将特定歌曲添加到您的收藏夹中，您还将看到特定歌曲出现在专辑中的编号。

按下信息图标可让您获得与歌曲相关的更多可用详细信息。

返回歌曲本身并按下歌曲右侧的符号可为您提供更多信息，并允许您定位歌曲可能出现在列表中的位置（添加到）。您也可以将其添加到播放列表，通过触摸屏幕右上角的+按名称创建播放列表，您可以根据需要添加任意数量的播放列表。

如果需要，您还可以删除歌曲，并且您可以选择从您可能添加的任何地方删除（即收藏夹/播放列表）。

艺术家/专辑：您拥有与歌曲相同的选项。

您会注意到，如果您选择导航到其他区域以检查设置等，音乐将继续播放。

歌单：

从菜单中选择播放列表将带您进入列出播放列表和收藏夹的屏幕。

网络服务：

DLNA：

注意有两个特点：

DMS（数字媒体服务器）需要连接外部存储设备（例如USB闪存驱动器、便携式硬盘），然后打开DLNA按钮。

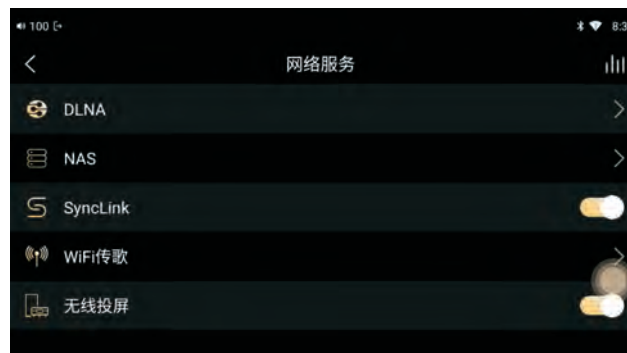
示例：第三方App（例如mConnect、bubbleUPnP）浏览S2上DMS共享的文件目录。然后，您可以在（例如）mConnect上浏览由S2共享的此文件目录。

DMR（数字媒体渲染器）使用DLNA打开，使用DLNA关闭。

示例：第三方应用程序（例如 mConnect、bubbleUPnP）通过S2上的DMR播放音频文件。使用S2在mConnect上播放音频文件。

NAS：

将显示UPnP和S2。S2链接到参考6473-0901，它基本上是所有直接存储在S2上的歌曲资料。



DLNA服务开启关闭:

添加DLNA共享目录。

共享目录列表。

NAS:

搜索NAS服务器。

SyncLink:

通过Eddict Player App蓝牙连接S2。

Wifi传歌:

您的PC和S2必须使用相同的网络。检查您的wifi连接是否仍然打开（系统设置WLAN或以太网）。从输入选择选项中选择USB-DAC。

您将在文件传输屏幕上看到一条说明，转到您PC上的浏览器并输入。

http://10.0.0.129:8080请注意链接地址中的冒号：。

这将带您到一个可以将文件从PC上传到S2的区域。

注意：在进行此连接之前，请单击屏幕右上角的设置图标。它将为您提供将材料永久存储在S2内部存储器中的选择。触摸内部存储，您将进入大量选项。

这可以在您每次上传时更改，但必须在上传之前完成。

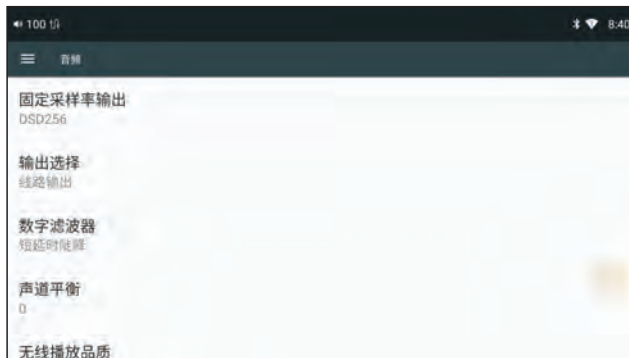
无线投屏:

请使用Eddict Player APP打开无线投屏，使用前请确保您的移动设备和S2置于同一个局域网内。APP将显示与S2一样的画面。

顶部下拉菜单

SRC:

单击选择开启与关闭，长按进入SRC设置选择，即系统设置里面的音频选择。



前级输出与线路输出:

前级输出可以调节音量，线路输出为最大音量且不可调节。



音源切换:

选择您喜欢的输入，记住要在USB上收听材料，您选择本地歌曲。请记住，您需要扫描USB中的资料，以便它出现在本地歌曲库中。

为了使用USB-DAC选项，Windows需要下载。Mac无需下载。

该文件可以从YBA网站下载 - www.ybahifi.com/downloads.html

下载并安装后，您将可以通过声音设置选择使用Eddict音频设备来收听存储在您PC上的音乐。您的PC之前的音频输出设备将被暂时禁用，S2将成为默认音频设备。如果您想断开S2并返回声卡，请导航回您的声音设置并选择您的PC输出。您需要从输入切换选项中选择USB-DAC。

选择同轴/光学和USB-DAC时，S2充当高质量的DAC解码器。



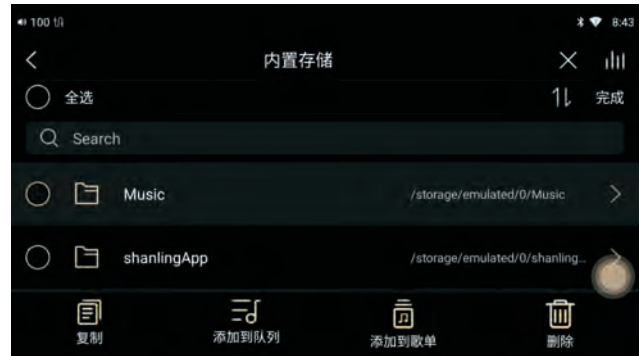
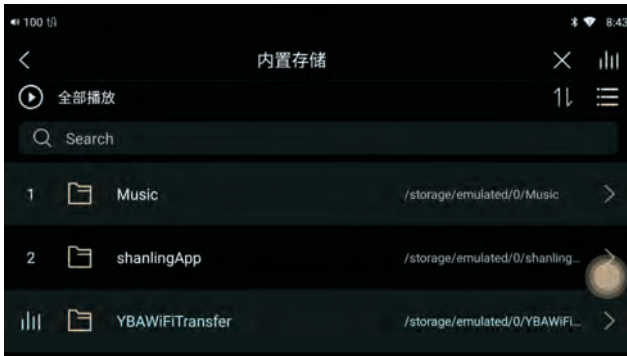
流媒体服务:

内置十个不同的流媒体APP，可通过网络服务打开



文件管理功能

打开文件夹，点击多选键，出现底部菜单，点击复制，复制到需要的储存空间。因为S2内置1T SSD硬盘，推荐用户把移动储存设备的音乐文件放到S2的内置硬盘使用。除了复制功能，也可以实现删除功能。



S2规格

文件格式

支持的格式	AIFF、WAV(LPCM)、FLAC、MP3、WMA、AAC
支持的采样率	DSD512 32-768Khz
支持的分辨率	16bit, 24bit, 32bit

网络

以太网	10/100 Base-T (RJ45)
Wifi	IEEE 802.11b/g/n 兼容
wps	支持
DLNA	1.0/1.5 支持
UPnP	DMP/DMR
网络服务	可选择流媒体服务
AirPlay	支持

音频端口

数字输入	同轴、光纤、USB (DAC)、USB (主机)、蓝牙 4.2 带 LDAC
音频输出	镀金RCA, 平衡端口

线路输出

RCA 输出电平	2.25V
平衡输出电平	4.5V
SNR	107DB
THD+N	0.0008%
D/A 转换器	AKM AK4497EQ x 2 (支持 32 位 / 768kHz)
电源	高品质线性电源
尺寸 (wxdxh)	430mm x 388mm x 115mm
表面处理	黑
重量	9.1kg

YBA



www.ybahifi.com

info@ybahifi.com