

YBA

Owner's Manual
Livret d'utilisation

Passion IA350 MKII Integrated Amplifier



Warnings and Precautions



CAUTION: To reduce the risk of electric shock, do not try to open the device. No user serviceable parts inside. Refer servicing to qualified service personnel only.



The lightning flash with an arrowhead symbol within an equilateral triangle is intended to alert the user to the presence of un-insulated dangerous voltage within the product's enclosure which may be of sufficient magnitude to constitute a risk of electric shock.



The exclamation point within an equilateral triangle is intended to alert the user to the presence of important operating and maintenance (servicing) instructions in the literature accompanying the product.

This product is designed and manufactured to meet strict quality and safety standards. You should read all the safety and operating instructions before using the product. Retain the manual for future reference and adhere to all warnings in the manual or on the amplifier.

WARNING: To reduce the risk of fire or electric shock, do not expose this product to rain or moisture.

The presence of electricity near water can be dangerous. Do not use this product outdoors or near any source of water for example next to a bathtub, washbowl, kitchen sink, in a wet basement or near a swimming pool, etc. Take care that objects do not fall and liquids are not spilled into the enclosure through any openings.

Do not place this product on a bed, sofa, rug or similar soft surface, or in an enclosed bookcase or cabinet, where ventilation may be impeded. We recommend a minimum distance of 100 mm (4 inches) around all sides and top of the product to provide adequate ventilation. Be sure that the ventilation holes below and on the top cover of your product are neither covered nor obscured by any object or dust.

Locate the product away from naked flames or heat producing equipment such as radiators, stoves or other appliances (including other electronic devices) that produce heat. The amplifier has been designed for use in moderate climates.

You should never attempt to service the product beyond that described in this manual. All other servicing should be referred to qualified service personnel. The only fuse used in this device is on the AC socket. Always use exactly the same fuse as the one provided with your unit.

If an abnormal smell or smoke is detected from the product, turn the power off at once and unplug the unit from the wall outlet. Contact your dealer immediately.

The product should be referred to qualified service personnel when:

The power supply cord or plug is damaged

The product has been dropped or the enclosure has been damaged

Objects have fallen, or liquid has been spilled, into the product

The product has been exposed to moisture

The product does not appear to function normally or exhibits a marked change in performance

We thank you for your purchase of our YBA Passion product. We are confident that it will provide you with many years of listening pleasure.

YBA Passion products have been manufactured with the same pride and attention to detail as every other product made since our creation in 1981. Your new product will give you the very best audio quality.

This user manual has been designed to give you all the information you need to install, connect, setup and use your product. For your own safety and to ensure that no damage occurs, we strongly recommend that you read the safety guidelines carefully before installation.

It is our recommendation that you use a rack or stand that is recommended for use with audio equipment. If your equipment is on a portable rack it should be moved with great care, to avoid any accident.

It is always advisable to unplug the unit from the mains supply before cleaning. The casework should normally only require a wipe with a soft, damp, lint-free cloth. Do not use paint thinners or other chemical solvents for cleaning or furniture cleaning sprays or polishes as they can cause indelible white marks.

Only connect the product to a power supply of the type described in the operating instructions or as marked on the rear panel. Be sure to check the noted voltage. Power supply cords should be routed so that they are not likely to be walked on or pinched by items placed upon or against them. Only use the power supply cord supplied with your amplifier.

Unplug the power cord or switch it off if left unused for a long period of time.



This product has been designed to meet the IEC 60065 international electrical safety standard as well as CE and RoHs regulations. The pictorial "crossed-bin" means the equipment must not be thrown with ordinary wastes but must be collected for reuse, recycling and other forms of recovery. If no longer required it must therefore be deposited in an appropriate collection point.

YBA is a registered trademark of YBA SAS and is restricted for use by YBA, its subsidiaries and authorized agents. All other brands and product names quoted in this manual are registered trademarks and the property of their respective owners.

Disclaimer: All the information contained in this manual was correct at the time of publication. However, as our engineers are always updating and striving to improve our products, your product may have slightly different appearance, performance, or modified functionality than presented in this manual.

YBA Warranty Policy Information

YBA warrants this product to be free from defects in materials and workmanship subject to the following:

The warranty period may vary from country to country and according to local regulations. Consult your dealer or distributor to confirm the warranty duration in your country.

YBA will repair or replace this product (at YBA's sole option) or any defective parts in this product within the terms of the warranty.

YBA warranty applies to the original purchaser only. **Always** ensure that you retain a valid proof of purchase.

YBA shall not be liable for any incidental or consequential damages for breach of any express or implied warranty in this product.

Except to the extent prohibited by law, this warranty is exclusive and in lieu of all other express and implied warranties.

YBA warranty does not affect your statutory rights.

Warranty Procedure

To obtain warranty service, please contact the YBA authorized dealer from whom you purchased this product. Your dealer will deliver the product to the registered YBA service centre.

Shipping to the service centre is at your cost and your amplifier must be packed in either its original carton or packaging affording an equal degree of protection.

Proof of purchase in the form of a bill of sale or receipted invoice, which is evidence that this product is within the warranty period, must be presented to obtain warranty service.

This warranty is invalid if

- (a) the factory-applied serial number has been modified, altered or removed from this product
- (b) this product was not purchased from a YBA authorized dealer
- (c) the product shows any evidence of repair or attempt to repair not performed by a YBA authorized service centre.

Warranty Exclusions

Maintenance and service or replacement of parts due to normal wear and tear

Problems arising from the misuse of the product or use of this product for non-domestic use

Damage to the outer chassis due to normal or abnormal wear and tear

Faults caused by extreme situations (such as damage due to lightning, floods, moisture, fire...)

Faults caused as a result of a short-circuit on the loudspeaker outputs

Faults caused by shock or the result of the product being dropped

Damage or defects caused by the use of inadequate packing during return to an authorized service centre

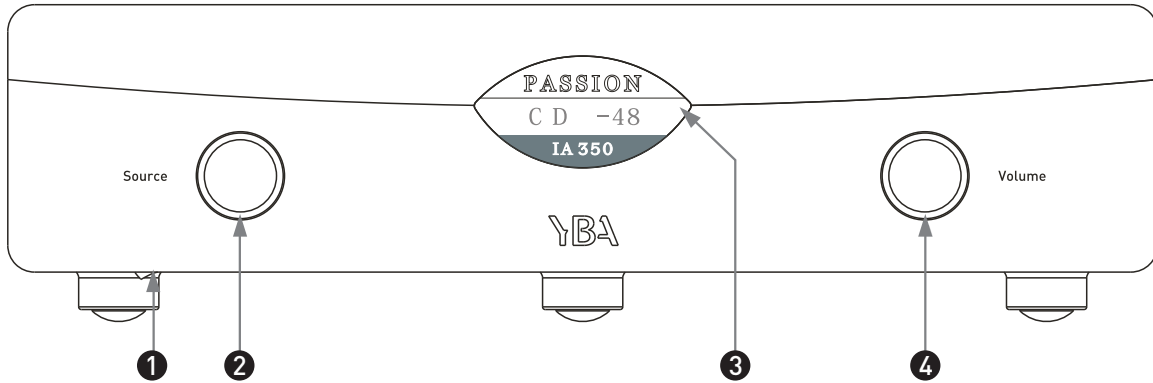
Faults caused by other devices or accessories such as power cords, power filters, loudspeakers

Damages due to repairs, modifications or cleaning by non-approved technicians or due to the use of non-YBA parts

Faults due to unauthorised opening or tampering with the unit

Any complete or partial loss of data/files

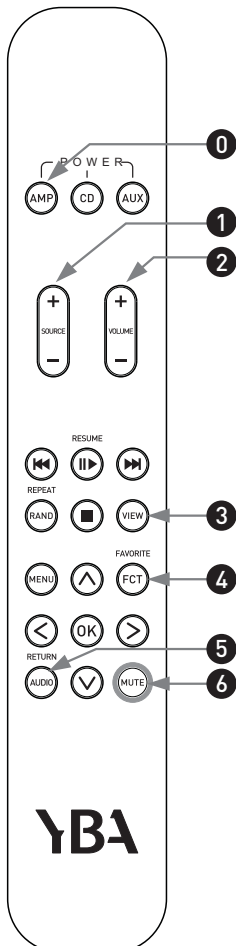
Discovering your IA350 MKII: Front view



- ❶ ON/OFF switch: Use this button to switch ON or switch OFF your IA350 MKII.
- ❷ Input selector: Selects between the eight different inputs.
- ❸ DISPLAY and IR sensor: All information relating to the operation of your IA350 MKII appears here. Point the remote control to this zone to control your IA350 MKII from a distance.
- ❹ Volume control: To adjust volume, set to zero upon installation.

Using your YBA remote control

Point your remote control to the IR receiver located in the display window of your IA350 MKII.



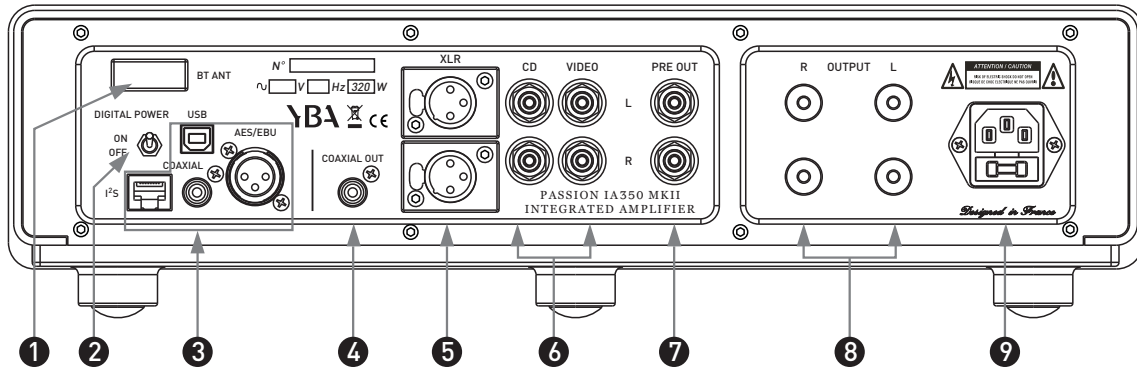
- ❶ Select the device you want to control between AMP, CD and AUX. To control the IA350 MKII, you need to select AMP button.
Note: AMP will remain the active function until you select another device.
- ❷ SOURCE+/SOURCE-: Press SOURCE+/SOURCE- to skip to the desired source.
- ❸ VOLUME+/VOLUME-: Press + to increase volume, or - to decrease the output volume of the amplifier. This is a universal control and does not require specific source selection.
- ❹ VIEW: Hold (> 3 seconds) display brightness dims. Hold again display turns off. Hold again, display turns on.
- ❺ FCT: Hold to store current volume level.
- ❻ AUDIO: Press to resume to the stored volume level.
- ❼ MUTE: Press to mute. Press again to exit mute.

IMPORTANT NOTE:

PRESS means a short press on a key.

HOLD means a key press **for more than 3 seconds**.

Discovering your IA350 MKII: Rear view



CAUTION:

Before connecting or disconnecting any input or output:

Always make sure your IA350 MKII is in the OFF position. If you have any doubt, unplug the AC cable from the power inlet.

Make sure all components connected to your amplifier are set to off.

Neatly arrange and organize wiring to and from your IA350 MKII and to and from all your components. Separate AC wires from audio cables to prevent hum or other unwanted noise from being introduced into the system.

- ❶ The IA350 MKII has an integrated Bluetooth aerial which provides greater transmission distance.

Bluetooth instructions

Your IA350 MKII has a built-in CSR8675 bluetooth V5.0 module. Supports high quality music output.

- Switch the IA350 MKII source to "BT" status.
 - After selecting "BT" ensure your device (i.e. phone or tablet) has Bluetooth switched on. It will show YBA IA350 MKII. Select this on your device and it will pair with the YBA IA350 MKII.
 - When the device is connected, use the playback software to play music.
- ❷ Should you wish, you can disconnect power to the digital section of your IA350 MKII when using an analogue source. Remember to re-engage this switch when using any digital input.
 - ❸ Digital input: The IA350 MKII is equipped with one S/PDIF (75Ω) COAXIAL digital input, USB (PCM32/768KHz, DSD512) and AES/EBU, I²S to receive digital signals from separate digital components.
 - ❹ Digital output: The IA350 MKII is equipped with one S/PDIF (75Ω) COAXIAL digital output, in order to send digital signals to a digital recording device or external D/A processor.
 - ❺ Balanced Audio input: This is a higher quality input which can reject noise and interference in the cable when used with equipment with balanced outputs. XLR connectors should be wired: Pin 1 - Ground; Pin 2 - Hot (in-phase); Pin 3 - Cold (phase-inverted).
 - ❻ RCA Audio inputs: Connect the RCA outputs of your source to the RCA inputs of your IA350 MKII. Be sure to connect the RIGHT output of your source to the R input of your amplifier and the LEFT output to the L input of your amplifier. Your IA350 MKII allows the connection of 2 external line level sources. Note: The VIDEO input has a Bypass feature. When you choose the VIDEO input, if you press < > OK on the remote in sequence, the pre-amp will be enter Bypass status. When you press < > OK buttons on the remote again, the unit will restore to "VIDEO" input status.

Passion IA350 MKII Integrated Amplifier

- ⑦ PRE OUT: If you want to use a subwoofer, a separate power amplifier or active speakers, connect here.
- ⑧ Right and Left speaker output: When connecting speakers take care to connect in phase. The + of your speaker must be connected to the + of the IA350 MKII. Connect your RIGHT speaker to the R output of your IA350 MKII and the LEFT speaker to the L output. We recommend the use of banana plugs to prevent any short-circuit. The IA350 MKII can be used with 8Ω or 4Ω speakers.
- ⑨ Power inlet: Use the mains cable provided with your IA350 MKII. Be sure the switch is in OFF position before plugging or unplugging the mains cable.

Using your IA350 MKII with a PC

Your Passion IA350 MKII integrated amplifier has an excellent Cirrus Logic DAC which means it can be used with your PC as a source.

In order to accomplish this, it is necessary to download a driver to your PC. This is only necessary for use with Windows - no download is required if using a MAC.

The file can be downloaded from the YBA website - www.ybahifi.com/downloads.html

When you have completed the download and you connect your IA350 MKII, the Windows 'Found new hardware' bubble will appear. The description of the IA350 MKII will be Eddict Audio Device.

After a few seconds you will receive a message 'Your new hardware is installed and ready to use'. Your PC's previous audio output device should be temporarily disabled and the IA350 MKII will become the default audio device automatically. This can be checked in the Control Panel. Select Sounds and Audio Devices. In the volume tab check Eddict Audio Device.

If you wish to disconnect your IA350 MKII and return to your soundcard, simply disconnect or switch off the power on the front panel. If for some reason your PC fails to disable the IA350 MKII, you can manually do this in the Hardware Device Manager.

Understanding the volume readout on your IA350 MKII

The Passion IA350 MKII display a volume level which reads from -80 to 00 which can sometimes cause confusion, particularly when it is recommended volume levels be set to zero.

As you reduce the volume, the negative numbers grow larger. 0 dB is therefore the maximum volume. To help make this a little clearer we have added a document to the download area of the YBA website entitled Understanding 0dB which we would encourage you to read.

Specifications

All specifications appear at the end of this manual.

Mises en garde at précautions



ATTENTION: Pour réduire le risque de choc électrique, n'essayez pas d'ouvrir l'appareil. Pas réparable par l'utilisateur. Confiez l'entretien à un personnel qualifié seulement.



L'éclair avec une pointe de flèche dans un triangle équilatéral est destiné à alerter l'utilisateur de la présence de non-isolé une tension dangereuse à l'intérieur du boîtier du produit qui peut être d'une ampleur suffisante pour constituer un risque de choc électrique.



Le point d'exclamation dans un triangle équilatéral est destiné à alerter l'utilisateur de la présence d'instructions importantes et de maintenance (entretien) dans la documentation accompagnant le produit.

Ce produit est conçu et fabriqué pour répondre aux strictes de qualité et les normes de sécurité. Vous devriez lire toute la sécurité et les instructions de fonctionnement avant d'utiliser le produit. Conservez le manuel pour référence future et respectez tous les avertissements dans le manuel ou sur le produit.

AVERTISSEMENT: Pour réduire le risque de choc électrique ou d'incendie, ne pas exposer ce produit à la pluie.

La présence d'électricité près de l'eau peut être dangereux. Ne pas utiliser les produit à l'extérieur ou près d'une source d'eau, par exemple à côté d'une baignoire, un lavabo, un évier, dans une cave humide ou près d'une piscine, etc Veillez à ce que les objets ne tombent pas et les liquides ne sont pas déversés dans le enceinte à travers les ouvertures.

Ne pas placer ce produit sur un lit, un canapé, un tapis ou une surface similaire instable, ou dans une bibliothèque fermée ou une armoire, où la ventilation pourrait être entravée. Nous recommandons une distance minimale de 100 mm (4 pouces) autour de tous les côtés et le dessus du produit à fournir une ventilation adéquate. Assurez-vous que les orifices de ventilation ci-dessous et sur le couvercle supérieur de votre produit ne sont ni couverts, ni masqué par un objet ou de la poussière.

Localisez le produit à l'écart des flammes nues ou de l'équipement produisant de la chaleur tels que radiateurs, poêles ou autres appareils (y compris d'autres appareils électroniques) qui produisent de la chaleur. L'amplificateur a été conçu pour une utilisation dans des climats modérés.

Vous ne devriez jamais tenter de réparer le produit au-delà de celle décrite dans ce manuel. Toutes les autres réparations doivent être confiées à du personnel qualifié. Le fusible utilisé dans ce dispositif se trouve sur la prise secteur. Toujours utiliser exactement le même fusible que celui fourni avec votre appareil.

Si une odeur anormale ou de la fumée est détectée à partir du produit, éteignez-le immédiatement et débranchez l'appareil de la prise murale. Contactez immédiatement votre revendeur.

Le produit doit être confiée à du personnel qualifié dans les cas:

Le cordon d'alimentation ou la fiche est endommagé

Le produit est tombé ou le boîtier a été endommagé

Des objets sont tombés ou du liquide a été renversé, dans le produit

Le produit a été exposé à l'humidité

Le produit ne semble pas fonctionner normalement ou manifeste un changement marqué dans la performance

Passion IA350 MKII Integrated Amplifier

Nous vous remercions pour votre achat de notre produit du YBA. Nous sommes confiants que cela vous procurera de nombreuses années de plaisir d'écoute.

Produits YBA ont été fabriqués avec la même fierté et l'attention aux détails comme tous les autres produits réalisés depuis notre création en 1981. Votre nouveau produit vous donnera la meilleure qualité audio.

Ce manuel a été conçu pour vous donner toutes les informations dont vous avez besoin pour installer, raccorder, configurer et utiliser votre produit. Pour votre propre sécurité et pour s'assurer qu'aucun dommage se produit, nous vous recommandons fortement de lire attentivement les consignes de sécurité avant l'installation.

Il est de notre recommandation que vous utilisez un support ou un stand est recommandé pour une utilisation avec l'équipement audio. Si votre équipement est sur une grille portable, il doit être manipulé avec grand soin, pour éviter tout accident.

Il est toujours conseillé de débrancher l'appareil de l'alimentation secteur avant de le nettoyer. Le traitement des dossiers ne devrait normalement besoin d'un essuyer avec un chiffon doux, humide, non pelucheux. Ne pas utiliser de diluants de peinture ou de solvants chimiques autres produits de nettoyage pour le nettoyage ou les meubles ou les polit, car ils peuvent causer des taches blanches indélébiles.

Ne branchez le produit à une alimentation du type décrit dans les instructions de fonctionnement ou indiqué sur le panneau arrière. Soyez sûr de vérifier la tension noté. Les cordons électriques doivent être installés de sorte qu'ils ne sont pas susceptibles d'être piétinés ou pincés par des objets placés sur ou contre eux. Utilisez uniquement le cordon d'alimentation fourni avec votre produit.

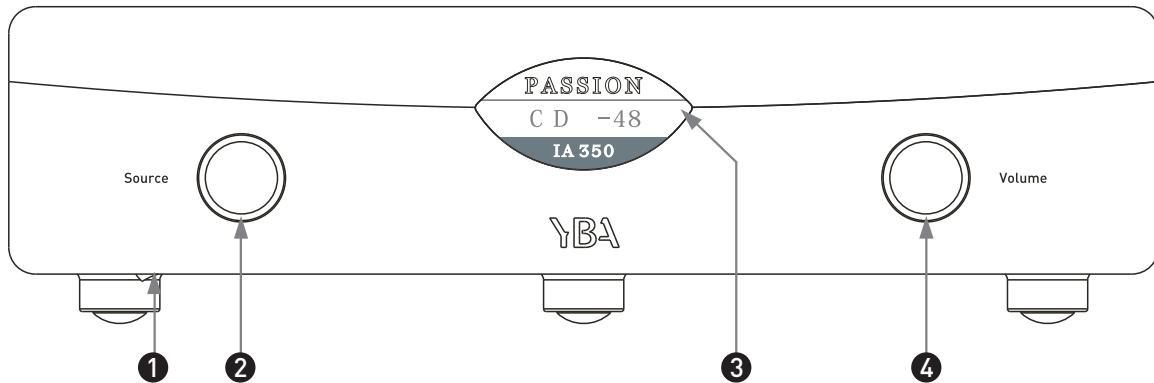
Débranchez le cordon d'alimentation ou de l'éteindre s'il reste inutilisé pendant une longue période de temps.

Ce produit a été conçu pour répondre à la norme IEC 60065 norme internationale de sécurité électrique ainsi que des règlements CE et RoHS. Le picturale "poubelle barrée" signifie que l'équipement ne doit pas être jeté avec les déchets ordinaires, mais doivent être collectées pour des formes de réutilisation, de recyclage et d'autres de la récupération. S'il n'est plus requis, il doit donc être déposés dans un point de collecte approprié.

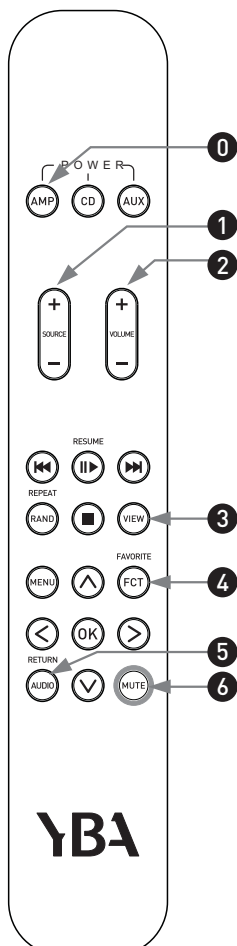
YBA est une marque déposée de YBA SAS et l'usage est restreint par YBA, ses filiales et agents agréés. Toutes les autres marques et noms de produits cités dans ce manuel sont des marques déposées et la propriété de leurs propriétaires respectifs.

Avertissement: Toutes les informations contenues dans ce manuel étaient correctes au moment de la publication. Cependant, comme nos ingénieurs mettent à jour et en s'efforçant d'améliorer nos produits, votre amplificateur peut avoir l'apparence légèrement différente, la performance ou de fonctionnalité par rapport à ce manuel.

Découvrir votre IA350 MKII: Vue de face



- ❶ ON / OFF: Utilisez ce bouton pour allumer ou éteindre votre IA350 MKII
- ❷ Sélecteur d'entrée: Permet de choisir entre les eight entrée de données.
- ❸ Display et le capteur IR: Toutes les informations concernant le fonctionnement de votre IA350 MKII apparaît ici. Pointez la télécommande vers cette zone pour contrôler votre IA350 MKII à distance.
- ❹ Réglage du volume: Pour régler le volume, mis à zéro lors de l'installation.



Utilisation de votre télécommande YBA

Pointer votre télécommande vers le récepteur IR situé dans la fenêtre d'affichage de votre IA350 MKII.

- ❶ Sélectionnez l'appareil que vous souhaitez contrôler entre AMP, CD et AUX. Pour contrôler le IA350 MKII, vous devez sélectionner le bouton AMP. Remarque: AMP restera la fonction active jusqu'à ce que vous sélectionnez un autre périphérique.
- ❷ SOURCE+/SOURCE-: Appuyez sur SOURCE + / SOURCE pour passer à la source désirée.
- ❸ VOLUME+/VOLUME-: Appuyez sur + pour augmenter le volume, ou - pour diminuer le volume de sortie de l'amplificateur. Il s'agit d'un contrôle universel et ne nécessite pas de sélection de la source spécifique.
- ❹ VIEW: Hold (> 3 secondes) s'assombrit luminosité de l'écran. Maintenez à nouveau l'écran s'éteint. Maintenez à nouveau, l'affichage s'allume.
- ❺ FCT: Tenez pour stocker niveau de volume actuel.
- ❻ AUDIO: Appuyez sur pour reprendre au niveau du volume stocké.
- ❼ MUTE: Appuyez sur pour couper le son. Appuyez de nouveau pour quitter.

NOTE IMPORTANTE:

PRESSE signifie une courte pression sur une touche.

MAINTIEN signifie une touche pendant plus de 3 secondes.

Information sur YBA Politique de Garantie

YBA garantit que ce produit est exempt de défauts dans les matériaux de fabrication et sous réserve de ce qui suit:

La période de garantie peut varier d'un pays à l'autre et selon les réglementations locales. Consultez votre revendeur ou distributeur pour confirmer la durée de la garantie dans votre pays.

YBA s'engage à réparer ou remplacer ce produit (à la seule discrétion de YBA) ou toute pièce défectueuse de ce produit dans les termes de la garantie.

Garantie YBA s'applique à l'acheteur d'origine seulement. Toujours veiller à ce que vous conserviez une preuve d'achat valide.

YBA ne doit pas être tenue responsable des dommages directs ou indirects pour la violation de toute garantie expresse ou implicite dans ce produit. Sauf dans la mesure interdite par la loi, cette garantie est exclusive et remplace toute autre garantie expresse ou tacite.

Garantie YBA n'affecte pas vos droits statutaires.

Procédure pour la Garantie

Pour obtenir un service de garantie, s'il vous plaît contacter le revendeur local agréé auprès duquel vous avez acheté ce produit. Votre revendeur vous livrera le produit au centre social YBA service.

Expédition au centre de service est à vos frais et votre amplificateur doit être emballé dans son carton d'origine soit ou un emballage offrant un degré de protection équivalent.

Une preuve d'achat sous la forme d'un acte de vente ou de la facture acquittée, qui est la preuve que ce produit est dans la période de garantie, doit être présentée pour obtenir le service de garantie.

Cette garantie n'est pas valable si

- (a) de l'usine-appliquée numéro de série a été modifié, altéré ou supprimé de ce produit
- (b) ce produit n'a pas été acheté auprès d'un distributeur local agréé
- (c) le produit montre des signes de réparation ou de tentative de réparation n'est pas effectuée par un centre de service agréé YBA.

Exclusions de garantie

Entretien et réparation ou remplacement de pièces sujettes à l'usure normale

Les problèmes résultant de la mauvaise utilisation de ce produit pour l'usage domestique non

Dommages au châssis externe due à une usure normale ou anormale et à la déchirure

Défauts causés par des situations extrêmes (tels que les dommages dus à la foudre, les inondations, humidité, au feu ...)

Défauts causés par des courts-circuits sur les sorties haut-parleurs

Défauts causés par le choc ou le résultat du produit étant tombé

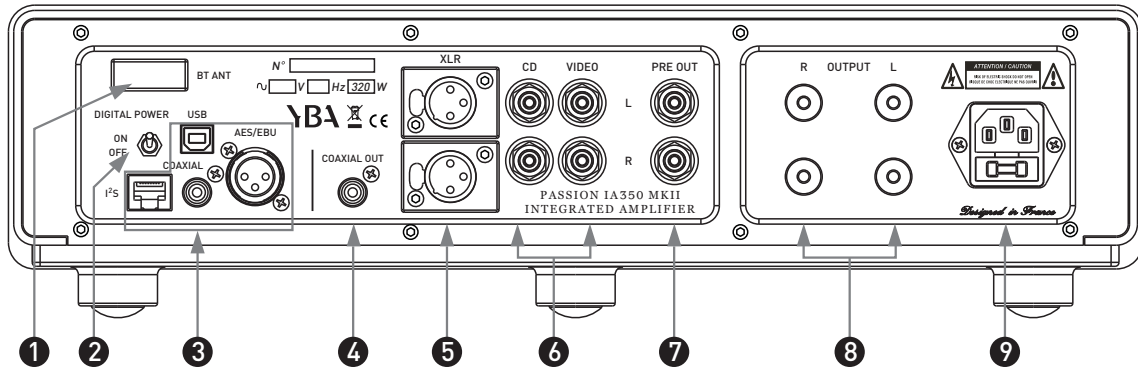
Les dégâts ou pannes causés par l'utilisation d'un emballage inadéquat pendant le retour à un centre de service autorisé

Défauts causés par d'autres appareils ou accessoires tels que les cordons d'alimentation, filtres de puissance, haut-parleurs

Les dommages dus aux réparations, modifications ou de nettoyage par des non techniciens agréés ou en raison de l'utilisation de pièces non YBA

Défauts dus à une ouverture non autorisée ou l'altération de l'unité

Découvrir votre IA350 MKII: vue arrière



ATTENTION

Assurez-vous toujours votre IA350 MKII est en position OFF. Si vous avez un doute, débranchez le cordon d'alimentation de la prise d'alimentation.

Assurez-vous que tous les composants connectés à votre amplificateur sont tous réglés sur OFF.

Soigneusement et d'organiser le câblage vers et depuis votre IA350 MKII et de et vers tous vos appareils. Placez les fils CA de câbles audio pour éviter tout ronflement ou d'autres bruits indésirables de s'introduire dans le système.

- ❶ L'YBA IA350 MKII a une antenne Bluetooth intégrée qui fournit une plus grande distance de transmission

Votre YBA IA350 MKII dispose d'un module Bluetooth V5.0 CSR8675 intégré. Cela prend en charge la sortie musicale de haute qualité.

 - Choisissez BT comme la source.
 - Après avoir sélectionné "BT" assurer que votre appareil (c. téléphone ou tablette) a commuté Bluetooth on. Il montrera YBA IA350 MKII. Sélectionnez-le sur votre appareil et il sera couplé avec le YBA IA350 MKII.
 - Lorsque l'appareil est connecté, utilisez le logiciel de lecture de jouer de la musique.
- ❷ Si vous souhaitez, vous pouvez couper l'alimentation de la section digital de votre IA350 MKII lors de l'utilisation d'une source analogique. N'oubliez pas de réengager cette option lorsque vous utilisez une entrée digital.
- ❸ Digital input: Le IA350 MKII est équipé d'une sortie S/PDIF (75Ω) entrée digital coaxiale, USB (PCM32/768KHz, DSD512) et AES / EBU, I²S à recevoir des signaux digital à partir de différents composants digital.
- ❹ Digital output: Le IA350 MKII est équipé d'une sortie S/PDIF (75Ω) Sortie digital coaxiale, dans le but d'envoyer des signaux digital à un dispositif d'enregistrement digital ou externe D/A Dispositif de traitement.
- ❺ Balanced Audio input: Il s'agit d'une entrée de qualité supérieure qui peut rejeter le bruit et les interférences dans le câble lorsqu'il est utilisé avec un équipement avec des sorties symétriques. Connecteurs XLR doivent être câblés: Pin 1 - Terre; Broche 2 - Hot (en phase); Broche 3 - Cold (phase inversée).
- ❻ RCA Audio inputs: Connectez les sorties RCA de votre source aux entrées RCA de votre IA350 MKII. Veillez à raccorder la sortie droite de votre source à l'entrée R de votre amplificateur et la sortie gauche de l'entrée L de votre amplificateur. Votre IA350 MKII permet le raccordement de 2 externes avec des sources de niveau ligne.

Note: L'entrée VIDEO a une fonction de contournement. Lorsque vous sélectionnez l'entrée VIDEO, si vous appuyez sur <> OK de la télécommande dans l'ordre, le pré-ampli sera entrer Bypass état. Lorsque vous appuyez sur les boutons <> OK de la télécommande à nouveau, l'unité de restauration à l'état d'entrée "VIDEO".

- 7 PRE OUT: Pour utiliser un caisson de graves, un amplificateur de puissance ou des enceintes actives, connectez-vous ici.
- 8 Right and Left speaker output: Lors de la connexion haut-parleurs prendre soin de se connecter en phase. Le + de votre haut-parleur doit être relié au + de l'IA350 MKII. Connectez votre enceinte de droite à la sortie R de votre IA350 MKII et le haut-parleur gauche à la sortie L. Nous recommandons l'utilisation de fiches bananes pour éviter tout court-circuit. L'A100 peut être utilisé avec ou 8Ω et 4Ω haut-parleurs.
- 9 Prise d'alimentation: Utilisez le câble d'alimentation fourni avec votre IA350 MKII. Assurez-vous que l'interrupteur est en position OFF avant de brancher ou de débrancher le câble d'alimentation.

Utilisation de votre IA350 MKII avec un PC

Votre amplificateur intégré Passion IA350 MKII a un excellent DAC Cirrus Logic qui signifie qu'il peut être utilisé avec votre PC comme source.

Pour ce faire, il est nécessaire de télécharger un pilote sur votre PC. Cela n'est nécessaire que pour une utilisation avec Windows - aucun téléchargement n'est nécessaire si vous utilisez un MAC.

Le fichier peut être téléchargé du site Web vient de YBA - www.ybahifi.com/downloads.html

Après avoir complété le téléchargement et vous connectez votre IA350 MKII, de nouveau matériel détecté "bulle Windows apparaît. La description de la IA350 MKII sera Eddict Audio Device.

Après quelques secondes, vous recevrez un message «Votre nouveau matériel est installé et prêt à l'emploi». Précédente périphérique de sortie audio de votre PC doit être désactivé temporairement et la IA350 MKII va devenir le périphérique audio par défaut automatiquement. Ceci peut être vérifié dans le Panneau de configuration. Sélectionnez Sons et périphériques audio. Dans l'onglet volume chèque Eddict Audio Device.

Si vous souhaitez déconnecter votre IA350 MKII et revenir à votre carte son, il suffit de débrancher ou de couper l'alimentation sur le panneau avant. Si, pour quelque raison que votre PC ne parvient pas à désactiver l'IA350 MKII, vous pouvez le faire manuellement ce dans le Gestionnaire des périphérique matériel.

Comprendre la lecture du volume de votre IA350 MKII

La Passion IA350 MKII afficher un niveau de volume qui se lit -80 à 00 qui peut parfois prêter à confusion, surtout quand il est recommandé de niveaux de volume sont mis à zéro.

Comme vous réduisez le volume, les nombres négatifs grossissent. 0 dB est donc le volume maximum. Pour aider à faire de cette un peu plus clair, nous avons ajouté un document à la zone de téléchargement du site de YBA intitulé Understanding Odb, que nous vous encourageons à lire.

Spécifications

Toutes les spécifications apparaissent à la fin de ce manuel.

IA350 MKII SPECIFICATIONS

Power output	Stereo 115W/8Ω 160W/4Ω
Line Inputs	2 RCA 1 Balanced 5 Digital (I2S / AES/ COAXIAL / USB / BT)
Input signal sampling rate	PCM32/768KHz; DSD512
Line Output	1 Pair RCA
Pre-out bypass	Yes
SNR	>100dB
THD&N (20 Hz - 20 kHz)	<0.03%
DAC	Dual ANALOG DEVICES High Performance AD1955
Frequency response	20 Hz - 20 kHz (-0.5 dB)
Display	OLED
Display brightness	Adjustable from remote
Power supply	Linear power supply with high performance UI-core transformer 320VA
Remote control	Full function - full metal chassis
Finish	Natural aluminium
Dimensions w x d x h	430 x 416 x 108 mm
Weight	15 Kg

YBA



www.ybahifi.com

info@ybahifi.com